



DATA RACK[®]

DATA RACK TECHNOLOGIES

AN ISO CERTIFIED COMPANY

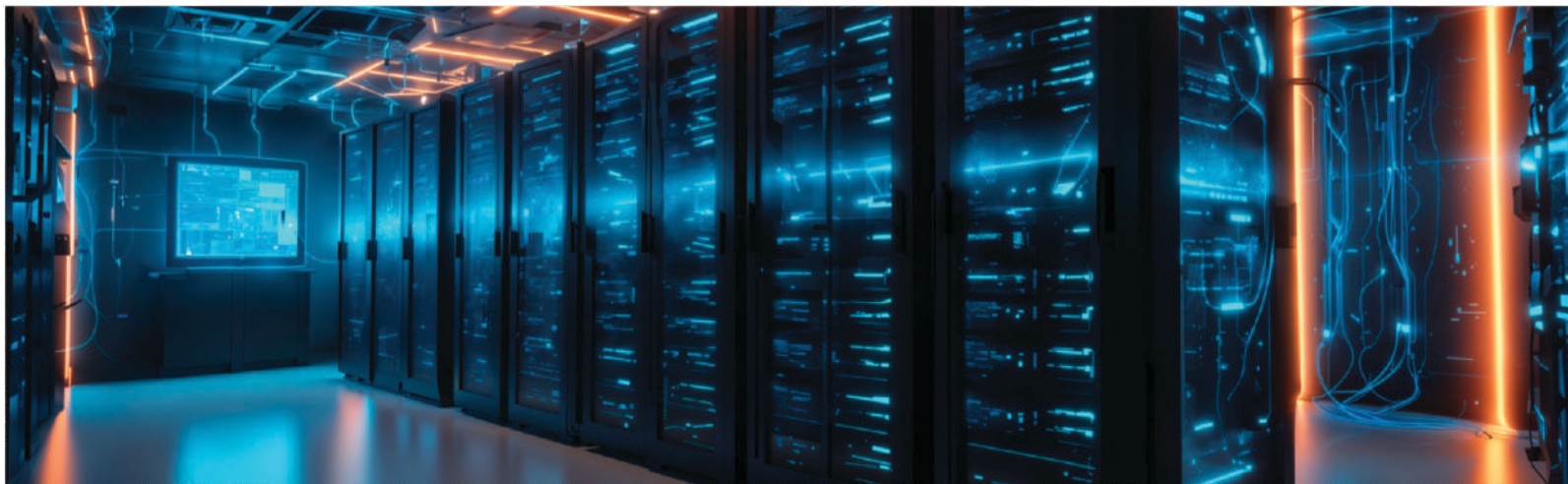


HIGH-PERFORMANCE **RACKS & ENCLOSURES**



GeM
Government
e Marketplace





ABOUT US

Data Rack Technologies stands for everything in the manufacturing Mild Steel Networking Server Racks, Aluminium Server Rack, steel enclosure, customized all types of metal and SS Cabinet, metal Laser cutting, outdoor / junction boxes and precision sheet metal fabrication. We believe in a strong relationship building of mutual trust between customer and supplier, thereby improving the reliability on the products of leading allied accessories and sheet metal fabrication with advanced machinery. The main motto of our services belongs to customer care is one of the finest and most satisfying in the business. It's our pride to say we are among the leading and the most trusted names in manufacturing and fabricating tools in steel.

Company: Founded in the year 2016 our Company pioneered in Network and Server Rack/Enduse Systems with concept-based, precision engineering design, skilled production, rich material sourcing, practically all grades as per National & International Standards.

Facilities: With a skilled workforce, advanced technology and latest types of machinery makes modular rack system rich in quality, customer support with added innovation and time-bound supplies.

PLANT FACILITIES

An Experienced workforce with precision engineering capabilities and the best efficient software configuration in product technology we stand unique and ensure quality at every stage and we set a standard in the industry, our facility includes innovative designs renowned quality control, the product are manufactured with only the finest components available in the market. The plant is in the midst of an eco-friendly environment.

VISION

To be the leading IT Infrastructure Solutions and Services provider.

MISSION

To deliver innovative, reliable and effective products, solutions and services that exceed our customer's expectations

DATA RACK TECHNOLOGIES has its manufacturing facilities in New Delhi are equipped with state-of-the-art Laser Metal Cutting Machine, CNC Bending, Welding, Shearing, all operation are controlled in house through full – fledged Manufacturing system.

WHO ARE WE

DATA RACK Technologies is a Leading Designer, Manufacturer, Exporter and Supplier of standard and customized enclosures in India, we have 19-inch enclosures for IT and Telecom infrastructure, systems management and operations. The Company caters to two major business segments: Enclosure systems and Customized Fabrication both with a focus on the IT/Networking and ITES, Telecom, General and Industrial Electronics sectors.

WHAT WE DO

DATA RACK Technologies is a leading company to offer standard and customized enclosure solutions to the IT and Networking, Telecom, General and Industrial Electronics sectors.

For most applications, customers have a choice of either steel or aluminium products that can handle equipment. These products are fully supported with a range of accessories to match specific application needs. The exact solution or enclosure configuration best suited to your needs is available to you from a single source; DATA RACK is thus a single stop provider for all your enclosure solutions. We also have a nationwide network and distributors to support you wherever you may need assistance for installation, commissioning and on-going services.

Our Solution

- Data Center Racks
- Customized Racks
- Networking & Server Racks
- Wall Mount Networking Racks
- DVR / NCR Racks
- Charging Station for Tablet, Laptop & Mobile
- Laser Metal Cutting Services
- Sheet Metal Fabrications

Why We make A Difference

- Experienced industry personnel who can manage your requirements.
- Credible record in delivery and execution.
- Quality products from the best in the market.
- Well-defined solutions that reach out to your business.

Where We Stand

We uphold a set of principles that are firmly rooted in values. Mutual reward, based on the establishment and cementing of long-term client relationships is the hallmark of our success.



PRODUCT SUMMARY

DATARACK Wall Mount DVR/NVR Rack specially designed for CCTV applications. Rack is fabricated out of CRAC Steel Powder coated with highest quality standards.

Configuration for standard racks are welded frame (CKD) integrated with side panels and vented top cover with fan mounting provision, Rear Side of the rack provided the provision to mount the rack on the wall and front toughened/acrylic glass door with lock and key provides you the visibility and security for your equipment's.

Racks are available from 4U - 15U Variants with Following Dimension:
Width - 400mm / 450mm / 500mm x Depth - 350mm / 400mm

Note:

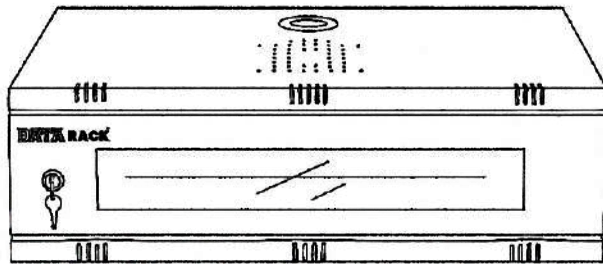
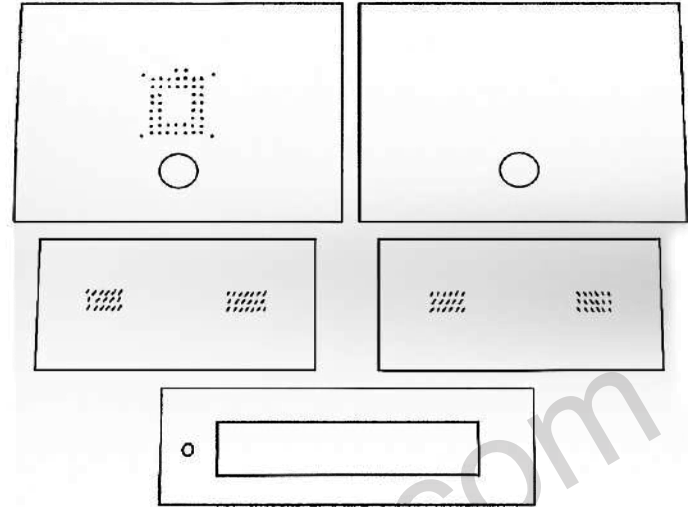
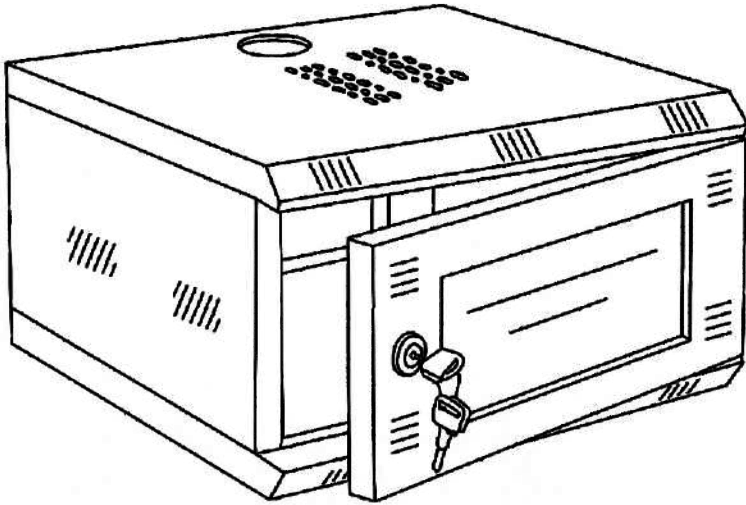
- We can make customized requirements and other models on request

PRODUCT FEATURES

- Conforms to ISO Standards
- Precision engineering capabilities and best efficient software configuration product technology provide the best product quality and fastest delivery in the industry
- Top and bottom Panel with ventilation and cable entry provision
- Provision to mount cooling fans on the top panel
- Powder coated finish

OPTIONAL ACCESSORIES

- Cooling Fans
- Power Distribution Units
- Shelf Tray



TECHNICAL SPECIFICATION

Rack Standard	Conform to ISO standard
Construction	Welded or CKD (Knockdown)
Front Door	Lockable front toughened Glass Door
Basic Frame	Mild Steel
Standard Finish	Powder coated
Top and Bottom Cover	Welded to Frame or CKD , vented and cable entry provision
Standard Color	Grey , Off white and black (RAL 7035 Structure , RAL9005 Structure)
Load Capacity	10-20 Kg

WALL MOUNT DVR/NVR RACKS PART CODE & DIMENSIONS

PART CODE	TOTAL HEIGHT IN MM (H)	TOTAL WIDTH IN MM (W)	TOTAL DEPTH IN MM (D)
DRT-WM-4035-2U	150	400	350
DRT-WM-4040-2U	150	400	400
DRT-WM-5030-2U	150	500	300
DRT-WM-3030-2U	150	300	300
DRT-WM-3535-2U	150	350	350
DRT-WM-4040-3U	200	400	400
DRT-WM-5040-4U	230	500	400
DRT-WM-5040-6U	330	500	400



PRODUCT SUMMARY

DATARACK Wall Mount Rack specially designed for small Networking, Domestic application, Audio Video, Telecom and Lab applications. Rack are fabricated out of CRAC Steel Powder coated with highest quality standards.

Configuration for standard racks are welded frame (CKD) integrated with side panels and vented top cover with fan mounting provision, Rear Side of the rack provided the provision to mount the rack on the wall and front toughened glass door with lock and key provides you the visibility and security for your equipment's.

Racks are available from 4U - 15U Variants with Following Dimension:

Width - 550mm x Depth - 400mm / 500mm / 600mm

Note:

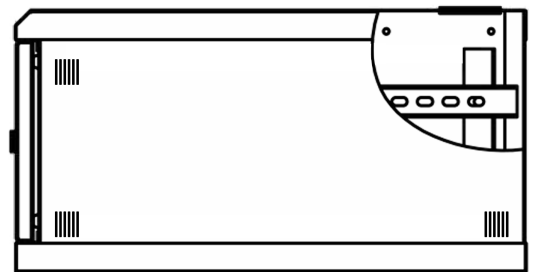
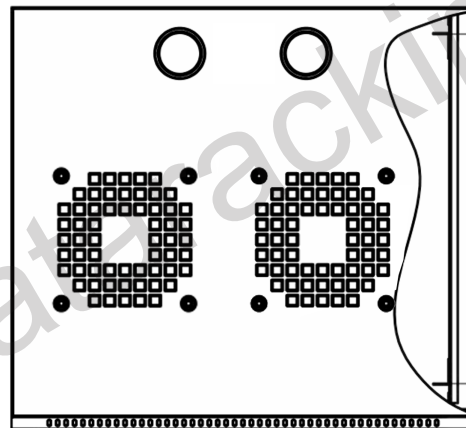
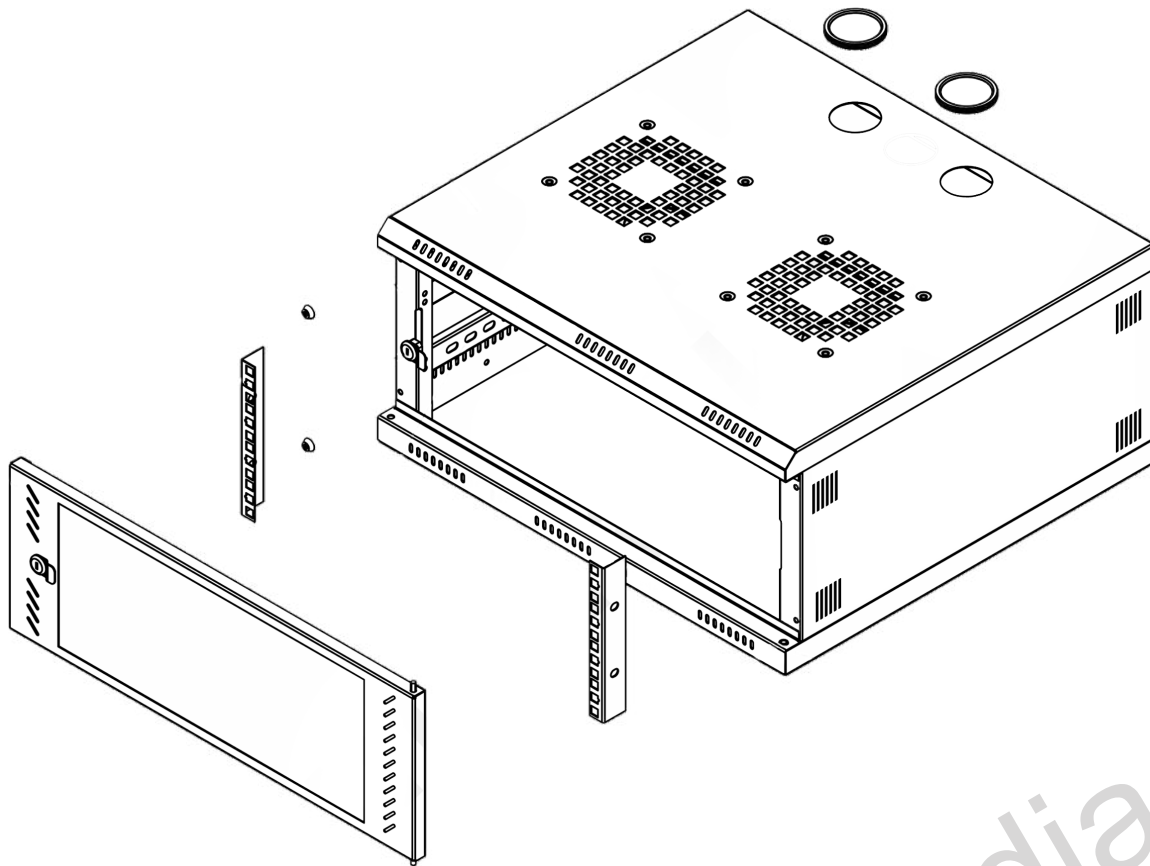
- We can make customized requirements and other models on request
- 1U = 44.45mm

PRODUCT FEATURES

- Conforms to DIN 41494 OR equivalent ISO Standards
- Adjustable 19" equipment mounting verticals provide better mounting flexibility and maximizes the usable mounting space
- Depth adjustable mounting slots
- Precision engineering capabilities and best efficient software configuration product technology provide the best product quality and fastest delivery in the industry
- Top and bottom Panel with ventilation and cable entry provision
- Provision to mount cooling fans on the top panel 1 or 2 Fans
- Powder coated finish
- Grounding and Bonding Options. 100% assured compatibility with all equipment conforming to DIN 41494 (General industrial standard for equipment)

OPTIONAL ACCESSORIES

- Cooling Fans
- Power Distribution Units
- Cable Manager MS or PVC
- Cantilever Tray / Shelf Tray
- Mounting Hardware



TECHNICAL SPECIFICATION

Rack Standard
Construction
Front Door
Basic Frame
Equipment Mounting
Mounting Angle
Standard Finish
Top and Bottom Cover
Standard Color
Load Capacity

Conform to DIN 41494 or equivalent standard
Welded or CKD (Knockdown)
Lockable front toughened Glass Door
Mild Steel
DIN Std 10mm sq slots
19" Mounting angle made of formed steel
Powder coated
Welded to Frame or CKD , vented and cable entry provision
Grey , Off white and black (RAL 7035 Structure , RAL9005 Structure)
20 Kg

SINGLE SECTION WALL MOUNT RACK 2U PART CODE & DIMENSIONS

PART CODE	TOTAL HEIGHT IN MM (H)	USABLE HEIGHT (H)	TOTAL WIDTH IN MM (W)	USABLE WIDTH IN INCHES (W)	TOTAL DEPTH IN MM (D)	USABLE DEPTH IN MM (D)
DRT-WMSS-5540-02U	150	2U	550	19"	400	350



PRODUCT SUMMARY

DATARACK Wall Mount Rack specially designed for small Networking, Domestic application, Audio Video, Telecom and Lab applications. Rack are fabricated out of CRAC Steel Powder coated with highest quality standards.

Configuration for standard racks are welded frame (CKD) integrated with side panels and vented top cover with fan mounting provision, Rear Side of the rack provided the provision to mount the rack on the wall and front toughened glass door with lock and key provides you the visibility and security for your equipment's.

Racks are available from 4U - 15U Variants with Following Dimension:
Width - 550mm x Depth - 400mm / 500mm / 600mm

Note:

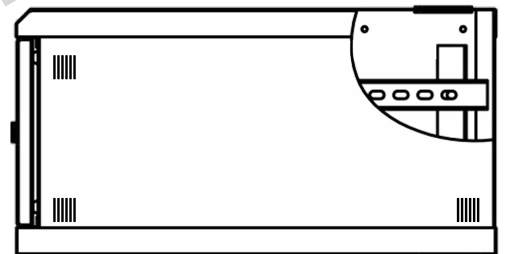
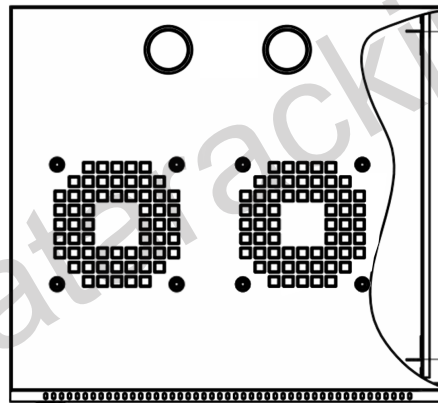
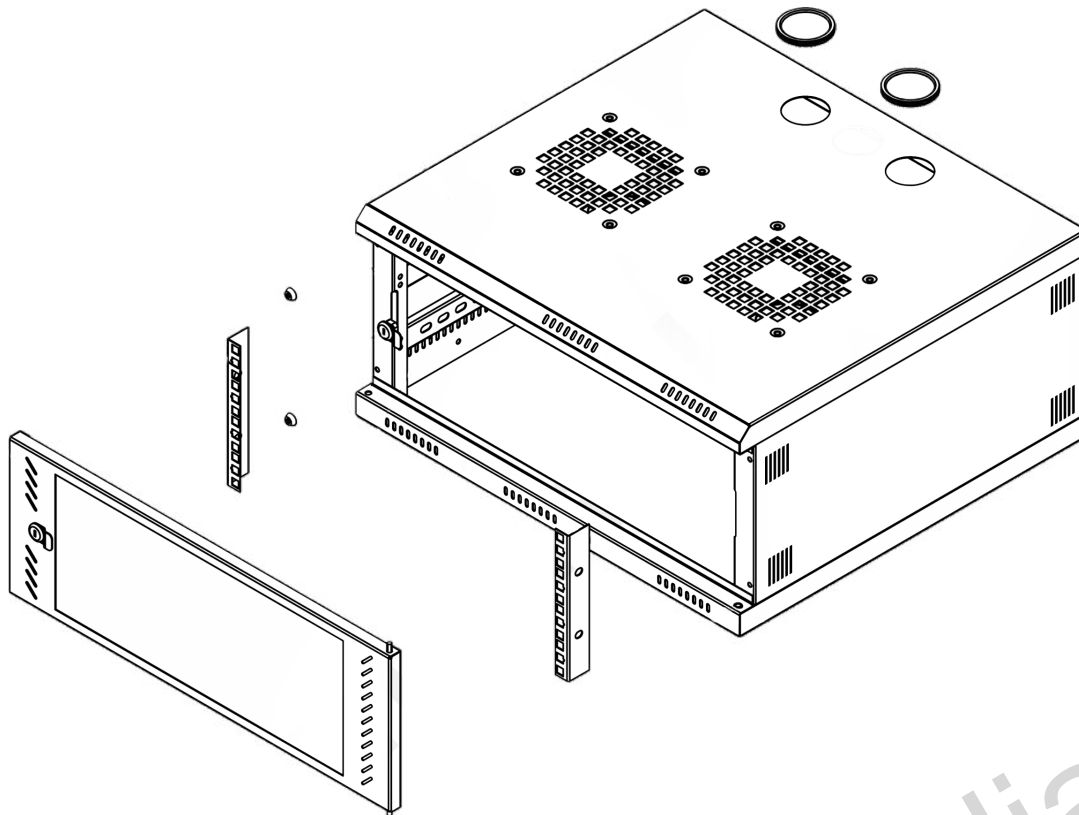
- We can make customized requirements and other models on request
- 1U = 44.45mm

PRODUCT FEATURES

- Conforms to DIN 41494 OR equivalent ISO Standards
- Adjustable 19" equipment mounting verticals provide better mounting flexibility and maximizes the usable mounting space
- Depth adjustable mounting slots
- Precision engineering capabilities and best efficient software configuration product technology provide the best product quality and fastest delivery in the industry
- Top and bottom Panel with ventilation and cable entry provision
- Provision to mount cooling fans on the top panel 1 or 2 Fans
- Powder coated finish
- Grounding and Bonding Options. 100% assured compatibility with all equipment conforming to DIN 41494 (General industrial standard for equipment)

OPTIONAL ACCESSORIES

- Cooling Fans
- Power Distribution Units
- Cable Manager MS or PVC
- Cantilever Tray / Shelf Tray
- Mounting Hardware



TECHNICAL SPECIFICATION

Rack Standard
Construction
Front Door
Basic Frame
Equipment Mounting
Mounting Angle
Standard Finish
Top and Bottom Cover
Standard Color
Load Capacity

Conform to DIN 41494 or equivalent standard
Welded or CKD (Knockdown)
Lockable front toughened Glass Door
Mild Steel
DIN Std 10mm sq slots
19" Mounting angle made of formed steel
Powder coated
Welded to Frame or CKD , vented and cable entry provision
Grey , Off white and black (RAL 7035 Structure , RAL9005 Structure)
20 Kg

SINGLE SECTION WALL MOUNT RACK 4U PART CODE & DIMENSIONS

PART CODE	TOTAL HEIGHT IN MM (H)	USABLE HEIGHT (H)	TOTAL WIDTH IN MM (W)	USABLE WIDTH IN INCHES (W)	TOTAL DEPTH IN MM (D)	USABLE DEPTH IN MM (D)
DRT-WMSS-5540-04U	250	4U	550	19"	400	350



PRODUCT SUMMARY

DATARACK Wall Mount Rack specially designed for small Networking, Domestic application, Audio Video, Telecom and Lab applications. Rack is fabricated out of CRAC Steel Powder coated with highest quality standards.

Configuration for standard racks is welded frame (CKD) integrated with side panels and vented top cover with fan mounting provision, Rear Side of the rack provided the provision to mount the rack on the wall and front toughened glass door with lock and key provides you the visibility and security for your equipment's.

Racks are available from 4U - 15U Variants with Following Dimension:

Width - 550mm x Depth - 400mm / 500mm / 600mm

Note:

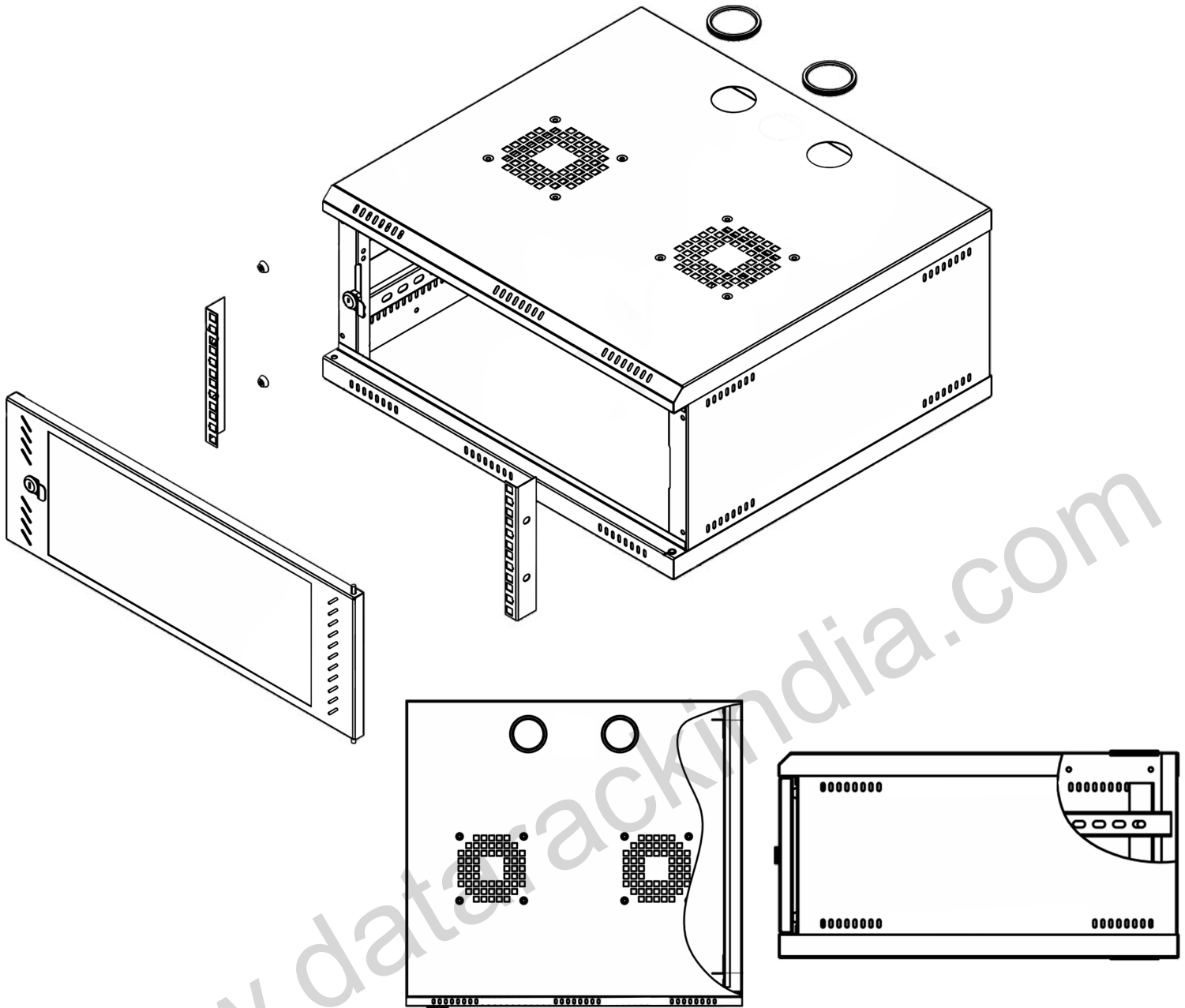
- We can make customized requirements and other models on request
- 1U = 44.45mm

PRODUCT FEATURES

- Conforms to DIN 41494 OR equivalent ISO Standards
- Adjustable 19" equipment mounting verticals provide better mounting flexibility and maximizes the usable mounting space
- Depth adjustable mounting slots
- Precision engineering capabilities and best efficient software configuration product technology provide the best product quality and fastest delivery in the industry
- Top and bottom Panel with ventilation and cable entry provision
- Provision to mount cooling fans on the top panel 1 or 2 Fans
- Powder coated finish
- Grounding and Bonding Options. 100% assured compatibility with all equipment conforming to DIN 41494 (General industrial standard for equipment)

OPTIONAL ACCESSORIES

- Cooling Fans
- Power Distribution Units
- Cable Manager MS or PVC
- Cantilever Tray / Shelf Tray
- Mounting Hardware



TECHNICAL SPECIFICATION

Rack Standard Construction Front Door Basic Frame Equipment Mounting Mounting Angle Standard Finish Top and Bottom Cover Standard Color Load Capacity	Conform to DIN 41494 or equivalent standard Welded or CKD (Knockdown) Lockable front toughened Glass Door Mild Steel DIN Std 10mm sq slots 19" Mounting angle made of formed steel Powder coated Welded to Frame or CKD , vented and cable entry provision Grey , Off white and black (RAL 7035 Structure , RAL9005 Structure) 25 Kg
--	--

SINGLE SECTION WALL MOUNT RACK 6U PART CODE & DIMENSIONS

PART CODE	TOTAL HEIGHT IN MM (H)	USABLE HEIGHT (H)	TOTAL WIDTH IN MM (W)	USABLE WIDTH IN INCHES (W)	TOTAL DEPTH IN MM (D)	USABLE DEPTH IN MM (D)
DRT-WMSS-5540-06U	350	6U	550	19"	400	350
DRT-WMSS-5550-06U	350	6U	550	19"	500	450
DRT-WMSS-5560-06U	350	6U	550	19"	600	550



PRODUCT SUMMARY

DATARACK Wall Mount Rack specially designed for small Networking, Domestic application, Audio Video, Telecom and Lab applications. Rack is fabricated out of CRAC Steel Powder coated with highest quality standards.

Configuration for standard racks is welded frame (CKD) integrated with side panels and vented top cover with fan mounting provision, Rear Side of the rack provided the provision to mount the rack on the wall and front toughened glass door with lock and key provides you the visibility and security for your equipment's.

Racks are available from 4U - 15U Variants with Following Dimension:
Width - 550mm x Depth - 400mm / 500mm / 600mm

Note:

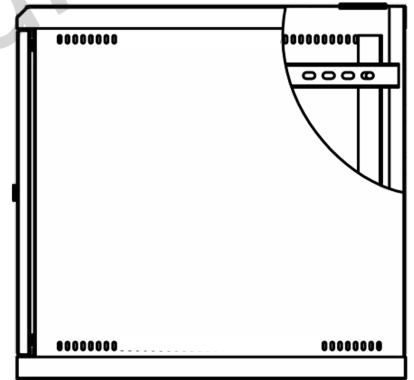
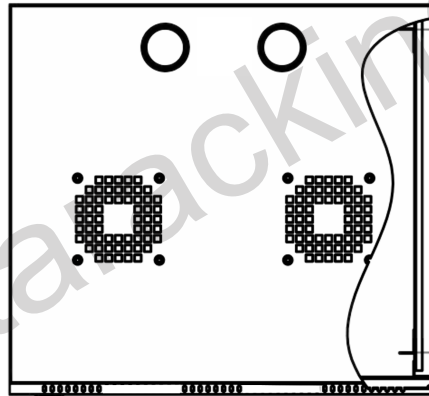
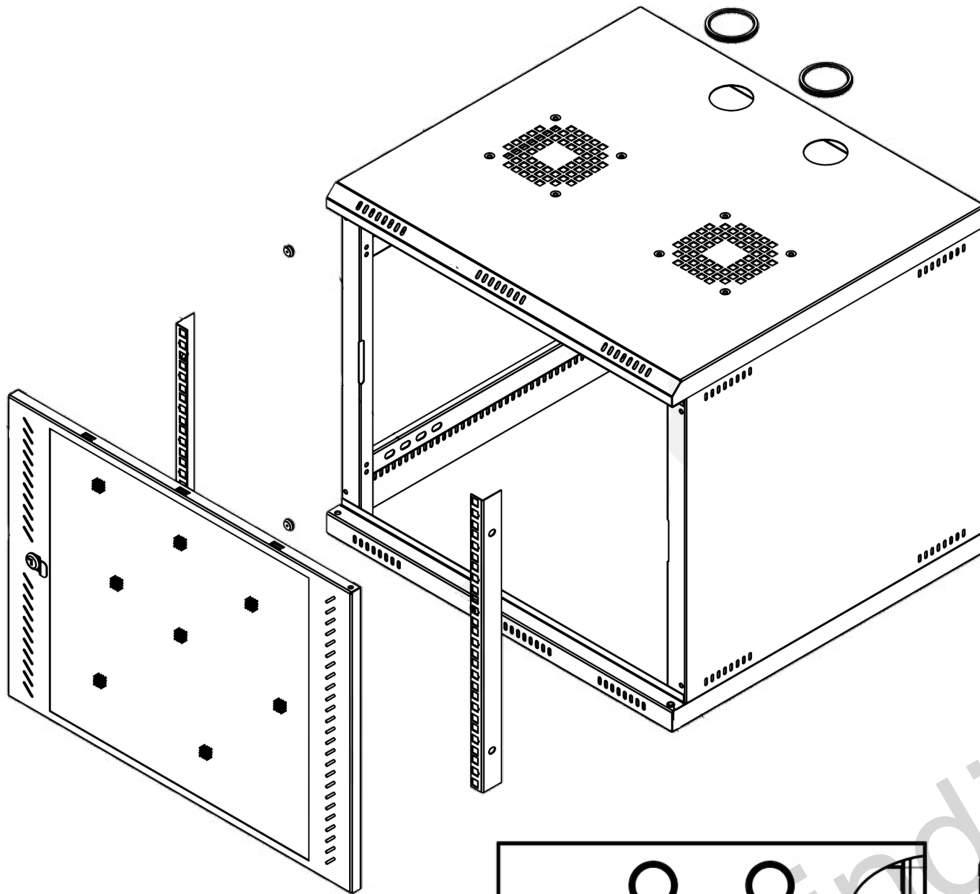
- We can make customized requirements and other models on request
- 1U = 44.45mm

PRODUCT FEATURES

- Conforms to DIN 41494 OR equivalent ISO Standards
- Adjustable 19" equipment mounting verticals provide better mounting flexibility and maximizes the usable mounting space
- Depth adjustable mounting slots
- Precision engineering capabilities and best efficient software configuration product technology provide the best product quality and fastest delivery in the industry
- Top and bottom Panel with ventilation and cable entry provision
- Provision to mount cooling fans on the top panel 1 or 2 Fans
- Powder coated finish
- Grounding and Bonding Options. 100% assured compatibility with all equipment conforming to DIN 41494 (General industrial standard for equipment)

OPTIONAL ACCESSORIES

- Cooling Fans
- Power Distribution Units
- Cable Manager MS or PVC
- Cantilever Tray / Shelf Tray
- Mounting Hardware



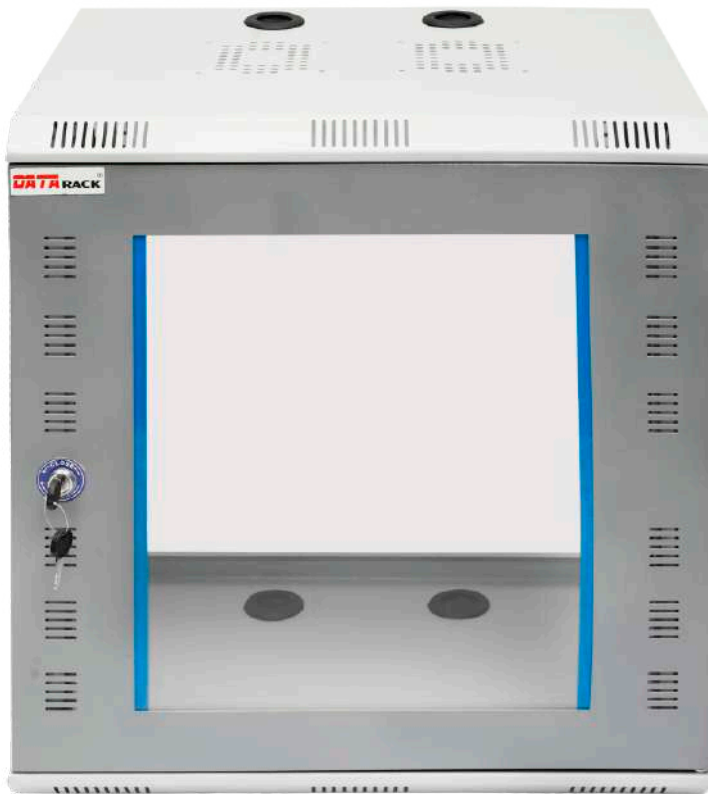
TECHNICAL SPECIFICATION

Rack Standard
Construction
Front Door
Basic Frame
Equipment Mounting
Mounting Angle
Standard Finish
Top and Bottom Cover
Standard Color
Load Capacity

Conform to DIN 41494 or equivalent standard
Welded or CKD (Knockdown)
Lockable front toughened Glass Door
Mild Steel
DIN Std 10mm sq slots
19" Mounting angle made of formed steel
Powder coated
Welded to Frame or CKD , vented and cable entry provision
Grey , Off white and black (RAL 7035 Structure , RAL9005 Structure)
30 Kg

SINGLE SECTION WALL MOUNT RACK 9U PART CODE & DIMENSIONS

PART CODE	TOTAL HEIGHT IN MM (H)	USABLE HEIGHT (H)	TOTAL WIDTH IN MM (W)	USABLE WIDTH IN INCHES (W)	TOTAL DEPTH IN MM (D)	USABLE DEPTH IN MM (D)
DRT-WMSS-5540-09U	450	9U	550	19"	400	350
DRT-WMSS-5550-09U	450	9U	550	19"	500	450
DRT-WMSS-5560-09U	450	9U	550	19"	600	550



PRODUCT SUMMARY

DATARACK Wall Mount Rack specially designed for small Networking, Domestic application, Audio Video, Telecom and Lab applications. Rack is fabricated out of CRAC Steel Powder coated with highest quality standards.

Configuration for standard racks is welded frame (CKD) integrated with side panels and vented top cover with fan mounting provision, Rear Side of the rack provided the provision to mount the rack on the wall and front toughened glass door with lock and key provides you the visibility and security for your equipment's.

Racks are available from 4U - 15U Variants with Following Dimension:

Width - 550mm x Depth - 400mm / 500mm / 600mm

Note:

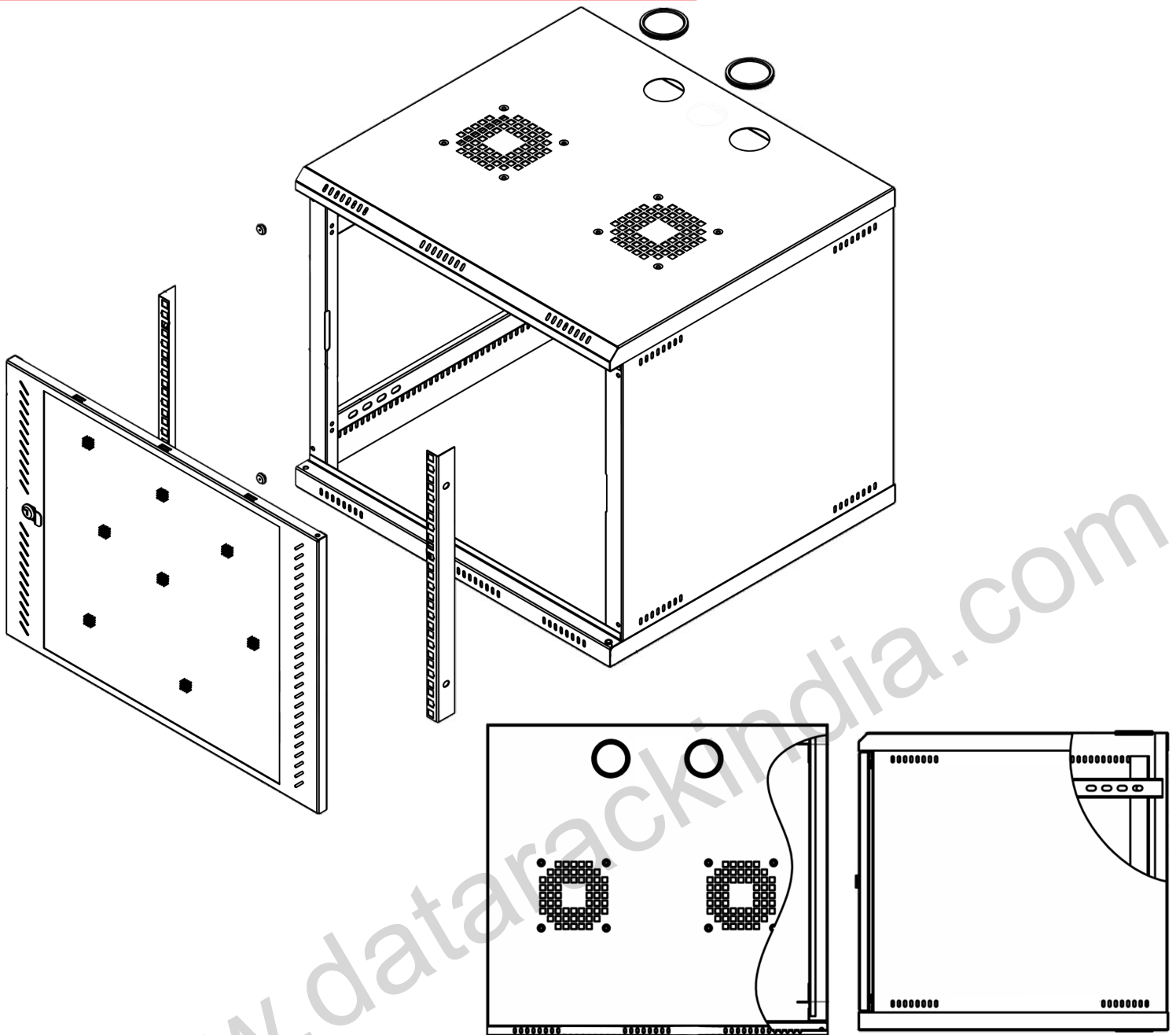
- We can make customized requirements and other models on request
- 1U = 44.45mm

PRODUCT FEATURES

- Conforms to DIN 41494 OR equivalent ISO Standards
- Adjustable 19" equipment mounting verticals provide better mounting flexibility and maximizes the usable mounting space
- Depth adjustable mounting slots
- Precision engineering capabilities and best efficient software configuration product technology provide the best product quality and fastest delivery in the industry
- Top and bottom Panel with ventilation and cable entry provision
- Provision to mount cooling fans on the top panel 1 or 2 Fans
- Powder coated finish
- Grounding and Bonding Options. 100% assured compatibility with all equipment conforming to DIN 41494 (General industrial standard for equipment)

OPTIONAL ACCESSORIES

- Cooling Fans
- Power Distribution Units
- Cable Manager MS or PVC
- Cantilever Tray / Shelf Tray
- Mounting Hardware

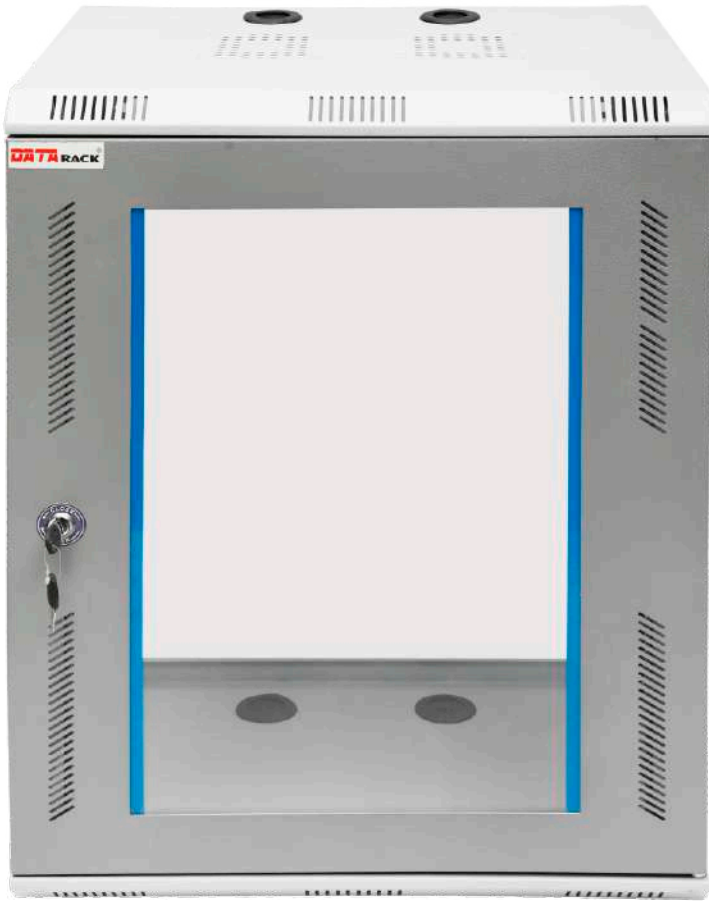


TECHNICAL SPECIFICATION

Rack Standard	Conform to DIN 41494 or equivalent standard
Construction	Welded or CKD (Knockdown)
Front Door	Lockable front toughened Glass Door
Basic Frame	Mild Steel
Equipment Mounting	DIN Std 10mm sq slots
Mounting Angle	19" Mounting angle made of formed steel
Standard Finish	Powder coated
Top and Bottom Cover	Welded to Frame or CKD , vented and cable entry provision
Standard Color	Grey , Off white and black (RAL 7035 Structure , RAL9005 Structure)
Load Capacity	35 - 45 Kg

SINGLE SECTION WALL MOUNT RACK 12U PART CODE & DIMENSIONS

PART CODE	TOTAL HEIGHT IN MM (H)	USABLE HEIGHT (H)	TOTAL WIDTH IN MM (W)	USABLE WIDTH IN INCHES (W)	TOTAL DEPTH IN MM (D)	USABLE DEPTH IN MM (D)
DRT-WMSS-5540-12U	590	12U	550	19"	400	350
DRT-WMSS-5550-12U	590	12U	550	19"	500	450
DRT-WMSS-5560-12U	590	12U	550	19"	600	550



PRODUCT SUMMARY

DATARACK Wall Mount Rack specially designed for small Networking, Domestic application, Audio Video, Telecom and Lab applications. Rack is fabricated out of CRAC Steel Powder coated with highest quality standards.

Configuration for standard racks is welded frame (CKD) integrated with side panels and vented top cover with fan mounting provision, Rear Side of the rack provided the provision to mount the rack on the wall and front toughened glass door with lock and key provides you the visibility and security for your equipment's.

Racks are available from 4U - 15U Variants with Following Dimension:

Width - 550mm x Depth - 400mm / 500mm / 600mm

Note:

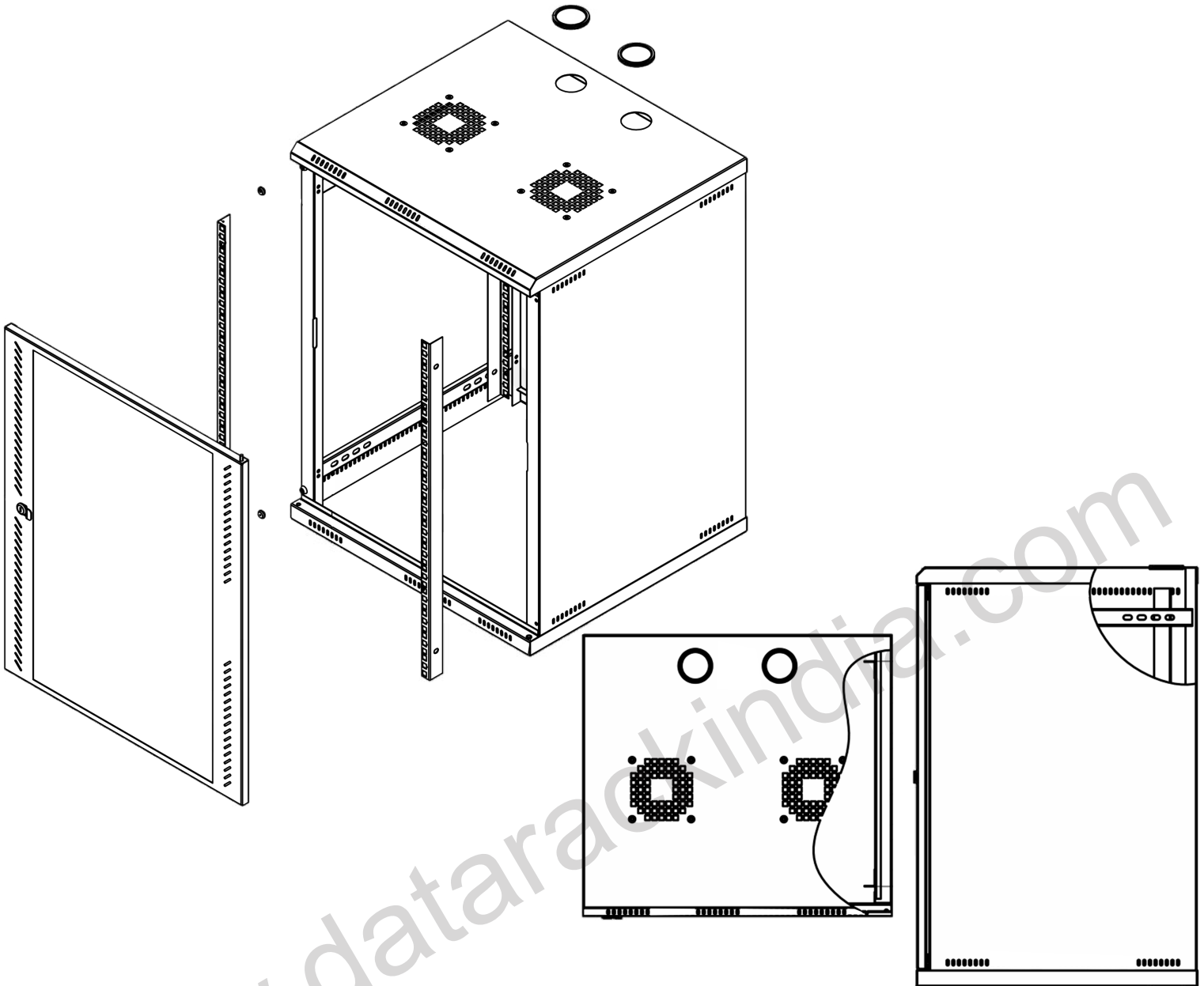
- We can make customized requirements and other models on request
- 1U = 44.45mm

PRODUCT FEATURES

- Conforms to DIN 41494 OR equivalent ISO Standards
- Adjustable 19" equipment mounting verticals provide better mounting flexibility and maximizes the usable mounting space
- Depth adjustable mounting slots
- Precision engineering capabilities and best efficient software configuration product technology provide the best product quality and fastest delivery in the industry
- Top and bottom Panel with ventilation and cable entry provision
- Provision to mount cooling fans on the top panel 1 or 2 Fans
- Powder coated finish
- Grounding and Bonding Options. 100% assured compatibility with all equipment conforming to DIN 41494 (General industrial standard for equipment)

OPTIONAL ACCESSORIES

- Cooling Fans
- Power Distribution Units
- Cable Manager MS or PVC
- Cantilever Tray / Shelf Tray
- Mounting Hardware



TECHNICAL SPECIFICATION

Rack Standard Construction Front Door Basic Frame Equipment Mounting Mounting Angle Standard Finish Top and Bottom Cover Standard Color Load Capacity	Conform to DIN 41494 or equivalent standard Welded or CKD (Knockdown) Lockable front toughened Glass Door Mild Steel DIN Std 10mm sq slots 19" Mounting angle made of formed steel Powder coated Welded to Frame or CKD , vented and cable entry provision Grey , Off white and black (RAL 7035 Structure , RAL9005 Structure) 35 - 45 Kg
--	---

SINGLE SECTION WALL MOUNT RACK 15U PART CODE & DIMENSIONS

PART CODE	TOTAL HEIGHT IN MM (H)	USABLE HEIGHT (H)	TOTAL WIDTH IN MM (W)	USABLE WIDTH IN INCHES (W)	TOTAL DEPTH IN MM (D)	USABLE DEPTH IN MM (D)
DRT-WMSS-5540-15U	730	15U	550	19"	400	350
DRT-WMSS-5550-15U	730	15U	550	19"	500	450
DRT-WMSS-5560-15U	730	15U	550	19"	600	550



PRODUCT SUMMARY

DATARACK Wall Mount Double Section Rack specially designed for Networking, Audio Video, and Telecom applications. Double Section Racks is fabricated out of CRAC Steel Powder coated with highest quality standards.

Configuration for standard double section racks is welded frame (CKD) integrated with side panels and vented top cover with fan mounting provision, Rear Side of the rack provided the provision to mount the rack on the wall and front toughened glass door with lock and key provides you the visibility and security for your equipment's.

Double Section Racks are available from 6U - 15U Variants with Following Dimension:
Width - 550mm x Depth - 400mm, 500mm & 600mm

Note:

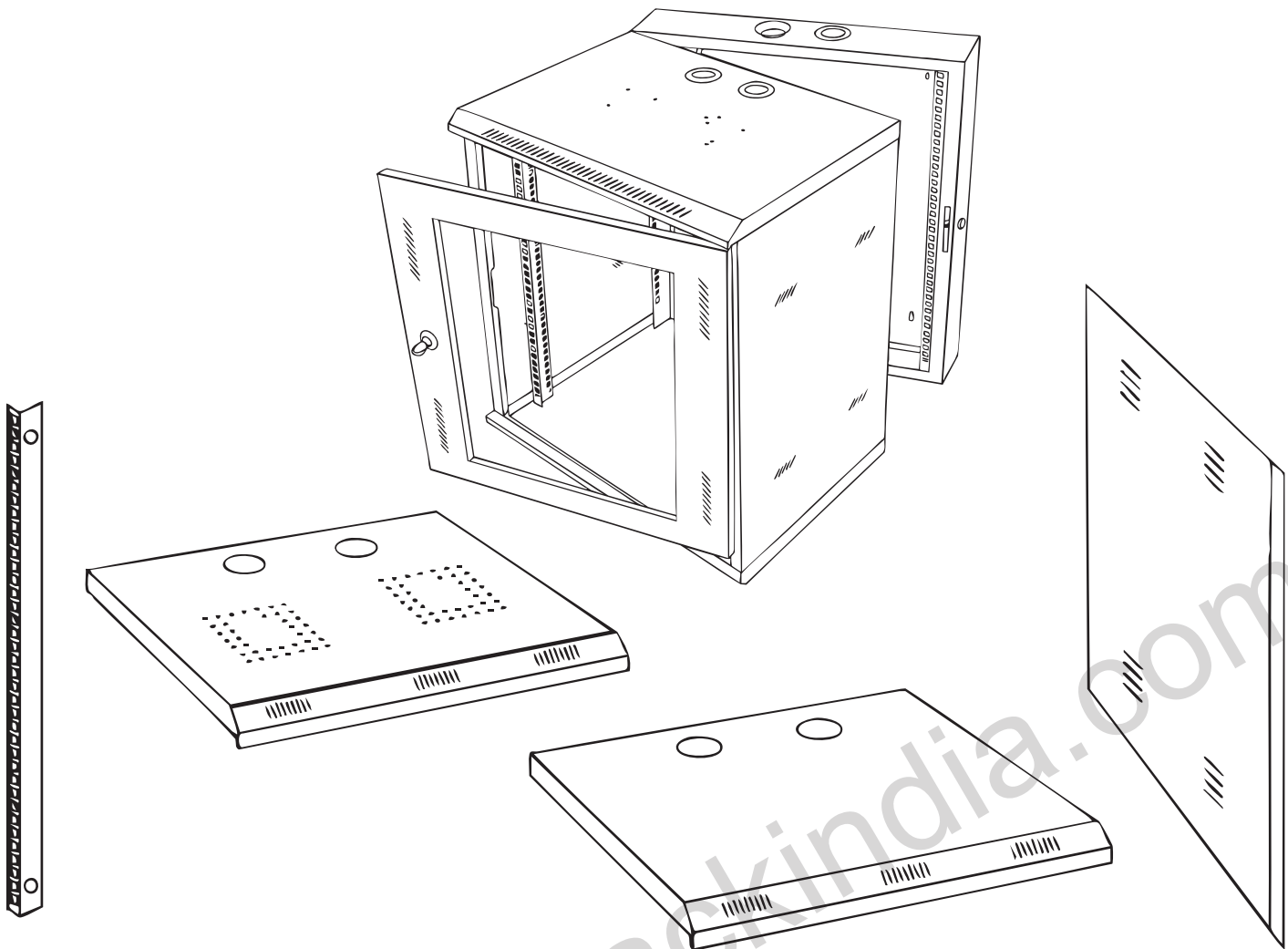
- We can make customized requirements and other models on request
- 1U = 44.45mm

PRODUCT FEATURES

- Conforms to DIN 41494 OR equivalent ISO Standards
- Adjustable 19" equipment mounting verticals provide better mounting flexibility and maximizes the usable mounting space
- Depth adjustable mounting slots
- Precision engineering capabilities and best efficient software configuration product technology provide the best product quality and fastest delivery in the industry
- Top and bottom Panel with ventilation and cable entry provision
- Provision to mount cooling fans on the top panel 1 or 2 Fans
- Powder coated finish
- 100% assured compatibility with all equipment conforming to DIN 41494 (General industrial standard for equipment)

OPTIONAL ACCESSORIES

- Cooling Fans
- Power Distribution Units
- Cable Manager MS or PVC
- Cantilever Tray / Shelf Tray
- Mounting Hardware



TECHNICAL SPECIFICATION

Rack Standard	Conform to DIN 41494 or equivalent standard
Construction	Welded or CKD (Knockdown)
Front Door	Lockable front toughened Glass Door
Basic Frame	Mild Steel
Equipment Mounting	DIN Std 10mm sq slots
Mounting Angle	19" Mounting angle made of formed steel
Standard Finish	Powder coated
Top and Bottom Cover	Welded to Frame or CKD, vented and cable entry provision
Standard Color	Grey, off white and black
Load Capacity	20 – 60 Kg

DOUBLE SECTION WALL MOUNT SERIES PART CODE & DIMENSIONS

PART CODE	TOTAL HEIGHT IN MM (H)	USABLE HEIGHT (H)	TOTAL WIDTH IN MM (W)	USABLE WIDTH IN INCHES (W)	TOTAL DEPTH IN MM (D)	USABLE DEPTH IN MM (D)
DRT-WMDS-5550-06U	330	6U	550	19"	400+100	350
DRT-WMDS-5550-09U	450	9U	550	19"	400+100	350
DRT-WMDS-5550-12U	600	12U	550	19"	400+100	350
DRT-WMDS-5550-15U	730	15U	550	19"	400+100	350
DRT-WMDS-5560-06U	330	6U	550	19"	500+100	450
DRT-WMDS-5560-09U	450	9U	550	19"	500+100	450
DRT-WMDS-5560-12U	600	12U	550	19"	500+100	450
DRT-WMDS-5560-15U	730	15U	550	19"	500+100	450



PRODUCT SUMMARY

DATARACK floor standing rack are specially designed for networking / server / audio video /data center and telecom applications. DATARACK are made of cold-rolled steel sheet and proceeded with Laser cutting, CNC bending, welding, and powder coated to meet industrial, ISO 9001-2015 and 14001-2015 standards. All product manufactured by DATARACK conforms to standards. DATARACK floor standing steel racks are in welded or CKD construction with 4 pillars. Top and bottom welded, ribbed, and provided with reinforced frames and supported by 6nos. of depth channels s for extra rigidity.

DATARACK Floor standing steel racks are having ventilated top and bottom cover with cut-out for cable access, Provision for Fans, and fan tray mounting. Front single or dual doors, glass/Vented/Plain/Perforated (Round/Convex) with single- or 3-point locks, Rear single/dual door with vented/perforated/plain with single- or 3-point locks. Side panels partially vented/plain. Racks with 4 nos. of heavy-duty caster wheels (2 with brake and 2 nos. without brake) / adjustable legs/plinth. Racks are available from 18U - 48U Variants with 600 & 800mm width and 600, 800, 1000 & 1200mm depth

Note:

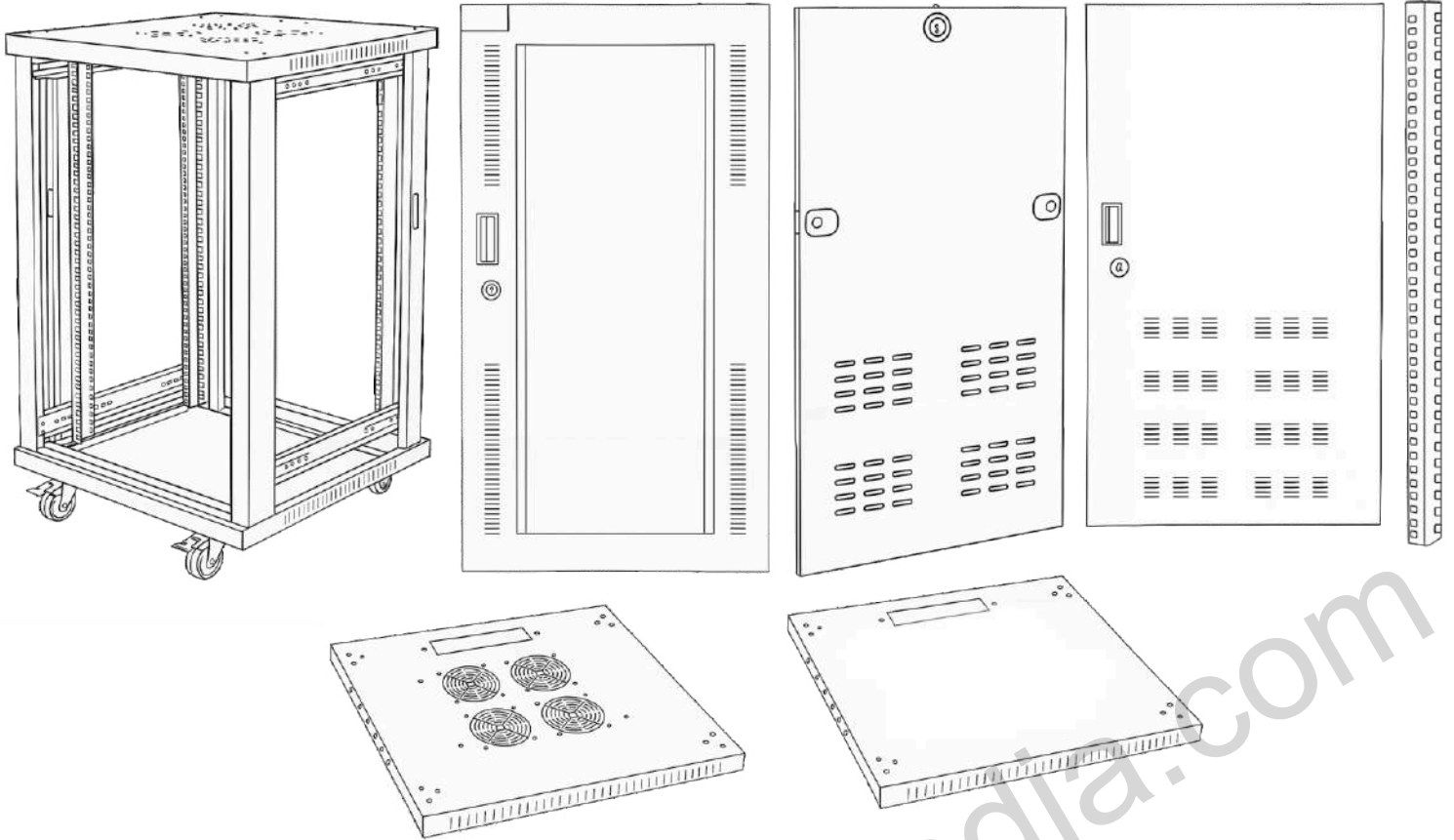
- We can make customized requirements and other models on request
- 1U = 44.45mm

PRODUCT FEATURES

- Conforms to DIN 41494 OR equivalent ISO Standards
- Adjustable 19" equipment mounting verticals provide better mounting flexibility and maximizes the usable mounting space
- Depth adjustable mounting slots
- Precision engineering capabilities and best efficient software configuration product technology provide the best product quality and fastest delivery in the industry
- Top and bottom Panel with ventilation and cable entry provision
- Provision to mount cooling fans on the top panel
- Powder coated finish
- 100% assured compatibility with all equipment conforming to DIN 41494 (General industrial standard for equipment)

OPTIONAL ACCESSORIES

- Cooling Fans
- Power Distribution Units
- 1U Cable Manager MS or PVC
- Cantilever Tray / Shelf Tray
- Mounting Hardware
- Stationery Shelf Tray
- Key Board Tray
- Earthing Kit
- Temperature sensor
- Support Angle
- Digital Lock
- Base Plinth
- Led Light
- Vertical Cable Manager



TECHNICAL SPECIFICATION

Rack Standard	Conform to DIN 41494 or equivalent standard
Construction	Welded or CKD (Knockdown)
Front Door	Lockable front toughened Glass Door
Rear Door	Lockable Rear Door / Back Plate
Wheel	Castor Wheels (Breaks - without Breaks)
Basic Frame	Mild Steel
Equipment Mounting	DIN Std 10mm sq slots
Mounting Angle	19" Mounting angle made of formed steel
Standard Finish	Powder coated
Top and Bottom Cover	Welded to Frame or CKD, vented and cable entry provision
Standard Color	Grey, off white and black
Load Capacity	45-100 Kg (Customized as per load capacity)

**MINI FLOOR STANDING STEEL SERIES
PART CODE & DIMENSIONS**

PART CODE	TOTAL HEIGHT IN MM (H)	USABLE HEIGHT (H)	TOTAL WIDTH IN MM (W)	USABLE WIDTH IN INCHES (W)	TOTAL DEPTH IN MM (D)	USABLE DEPTH IN MM (D)
DRT-MFS-5560-9U	450	9U	550	19"	600	550
DRT-MFS-5560-12U	590	12U	550	19"	600	550
DRT-MFS-5560-15U	730	15U	550	19"	600	550
DRT-MFS-6060-17U	850	17U	600	19"	600	550
DRT-MFS-5550-9U	450	9U	550	19"	500	450
DRT-MFS-5550-12U	590	12U	550	19"	500	450
DRT-MFS-5550-15U	730	15U	550	19"	500	450
DRT-MFS-5540-9U	450	9U	550	19"	400	350
DRT-MFS-5540-12U	590	12U	550	19"	400	350
DRT-MFS-5540-15U	730	15U	550	19"	400	350



PRODUCT SUMMARY

DATARACK Mini Floor Standing Rack specially designed for Networking, Domestic application, Audio Video, Telecom and Lab applications. Rack is fabricated out of CRAC Steel Powder coated with highest quality standards.

Configuration for standard racks is welded frame (CKD) integrated with side panels and vented top cover with fan mounting provision, Rear door, rear plate and castor wheel provided the provision to standing the rack on the floor and front toughened glass door with lock and key provides you the visibility and security for your equipment's.

Racks are available from 4U - 17U Variants with Following Dimension:

Width - 550mm/600mm x Depth - 400mm / 500mm / 600mm

Racks are available from 9U - 42U Variants for amplifier or mixture with Following Dimension:

Width - 550mm/650mm x Depth - 600mm / 650mm / 750mm

Note:

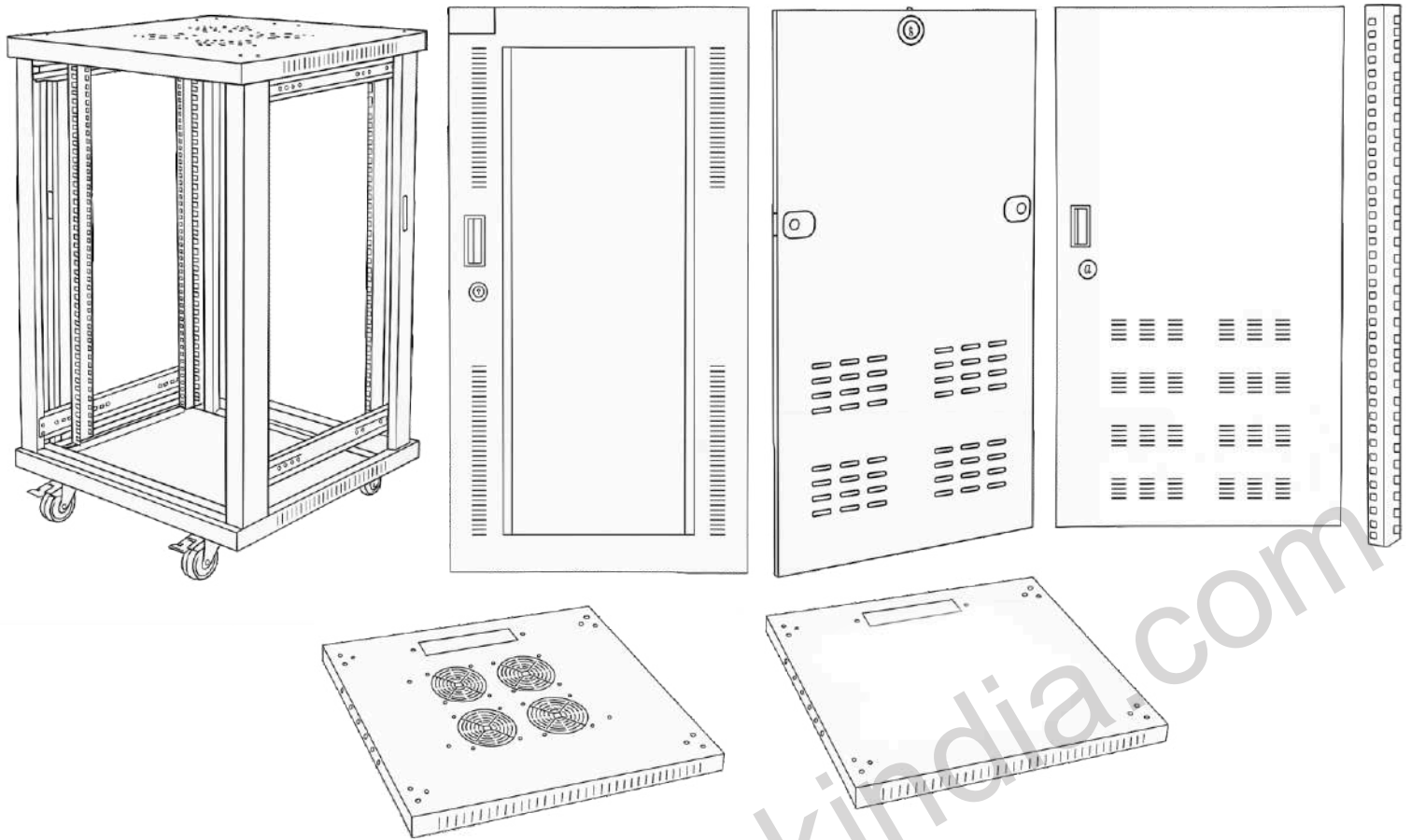
- We can make customized requirements and other models on request
- 1U = 44.45mm

PRODUCT FEATURES

- Conforms to DIN 41494 OR equivalent ISO Standards
- Adjustable 19" equipment mounting verticals provide better mounting flexibility and maximizes the usable mounting space
- Depth adjustable mounting slots
- Precision engineering capabilities and best efficient software configuration product technology provide the best product quality and fastest delivery in the industry
- Top and bottom Panel with ventilation and cable entry provision
- Provision to mount cooling fans on the top panel
- Powder coated finish
- Grounding and Bonding Options. 100% assured compatibility with all equipment conforming to DIN 41494 (General industrial standard for equipment)

OPTIONAL ACCESSORIES

- Cooling Fans
- Power Distribution Units
- Cable Manager MS or PVC
- Cantilever Tray / Shelf Tray
- Mounting Hardware
- Sliding Tray



TECHNICAL SPECIFICATION

Rack Standard	Conform to DIN 41494 or equivalent standard
Construction	Welded or CKD (Knockdown)
Front Door	Lockable front toughened Glass Door
Rear Door	Lockable Rear Door / Back Plate
Wheel	Castor Wheels (Breaks - without Breaks)
Basic Frame	Mild Steel
Equipment Mounting	DIN Std 10mm sq slots
Mounting Angle	19° Mounting angle made of formed steel
Standard Finish	Powder coated
Top and Bottom Cover	Welded to Frame or CKD, vented and cable entry provision
Standard Color	Grey, off white and black
Load Capacity	45-100 Kg (Customized as per load capacity)

AUDIO VIDEO SERIES RACK PART CODE & DIMENSIONS

PART CODE	TOTAL HEIGHT IN MM (H)	USABLE HEIGHT (H)	TOTAL WIDTH IN MM (W)	USABLE WIDTH IN INCHES (W)	TOTAL DEPTH IN MM (D)	USABLE DEPTH IN MM (D)
DRT-AVS-6065-9U	450	9U	600	520MM	650	600
DRT-AVS-6065-12U	590	12U	600	520MM	650	600
DRT-AVS-6065-15U	730	15U	600	520MM	650	600
DRT-AVS-6065-17U	850	17U	600	520MM	650	600
DRT-AVS-6065-24U	1150	24U	600	520MM	650	600
DRT-AVS-6065-27U	1300	27U	600	520MM	650	600



PRODUCT SUMMARY

DATARACK floor standing rack are specially designed for networking / server / audio video /data center and telecom applications. DATARACK are made of cold-rolled steel sheet and proceeded with Laser cutting, CNC bending, welding, and powder coated to meet industrial, ISO 9001-2015 and I4001-2015 standards. All product manufactured by DATARACK conforms to standards. DATARACK floor standing steel racks are in welded or CKD construction with 4 pillars. Top and bottom welded, ribbed, and provided with reinforced frames and supported by 6nos. of depth channels s for extra rigidity.

DATARACK Floor standing steel racks are having ventilated top and bottom cover with cut-out for cable access, Provision for Fans, and fan tray mounting. Front single or dual doors, glass/Vented/Plain/Perforated (Round/Convex) with single- or 3-point locks, Rear single/dual door with vented/perforated/plain with single- or 3-point locks. Side panels partially vented/plain. Racks with 4 nos. of heavy-duty caster wheels (2 with brake and 2 nos. without brake) / adjustable legs/plinth. Racks are available from 18U - 48U Variants with 600 & 800mm width and 600, 800, 1000 & 1200mm depth

Note:

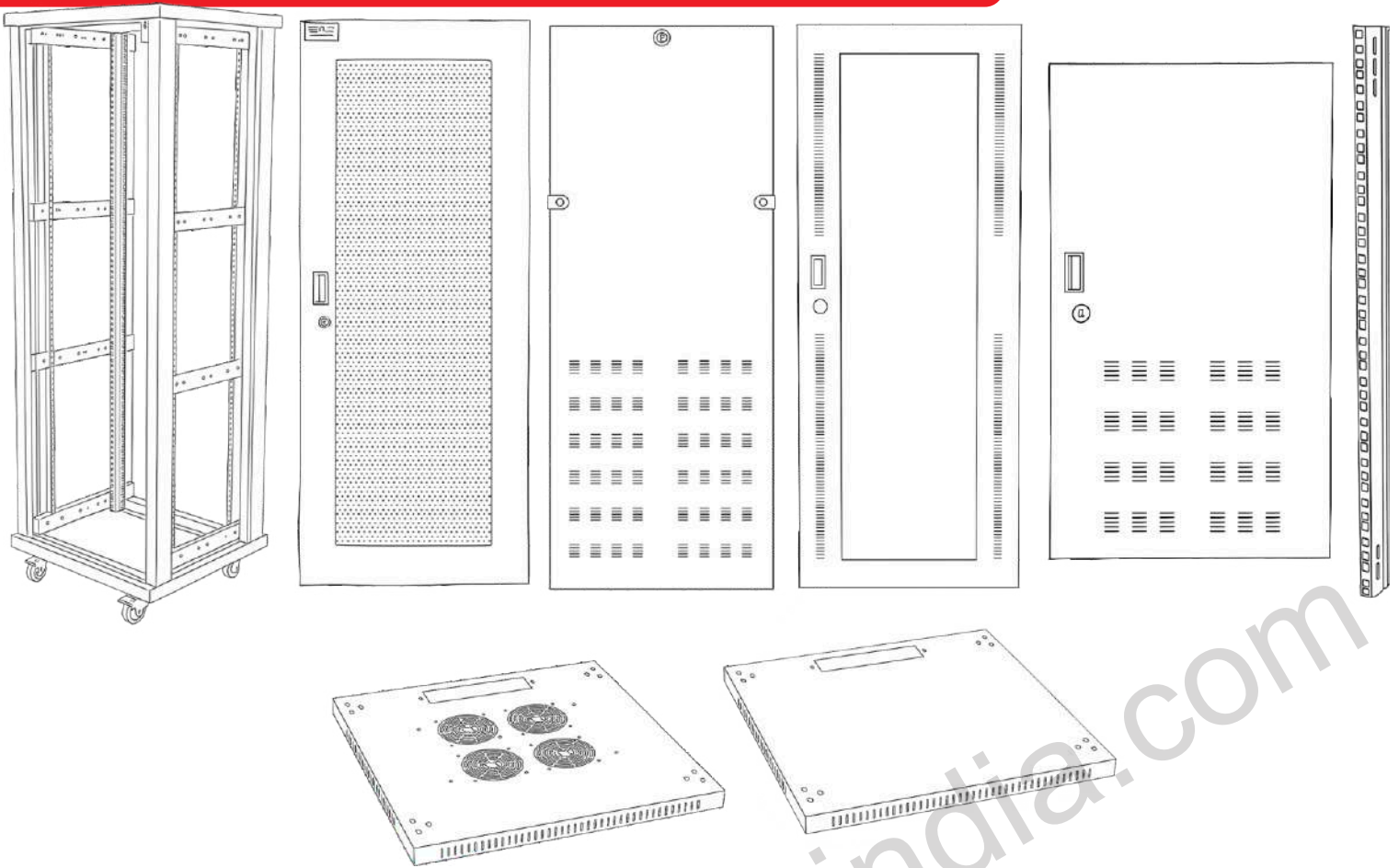
- We can make customized requirements and other models on request
- 1U = 44.45mm

PRODUCT FEATURES

- Conforms to DIN 41494 OR equivalent ISO Standards
- Adjustable 19" equipment mounting verticals provide better mounting flexibility and maximizes the usable mounting space
- Depth adjustable mounting slots
- Precision engineering capabilities and best efficient software configuration product technology provide the best product quality and fastest delivery in the industry
- Top and bottom Panel with ventilation and cable entry provision
- Provision to mount cooling fans on the top panel
- Powder coated finish
- 100% assured compatibility with all equipment conforming to DIN 41494 (General industrial standard for equipment)

OPTIONAL ACCESSORIES

- Cooling Fans
- Power Distribution Units
- 1U Cable Manager MS or PVC
- Cantilever Tray / Shelf Tray
- Mounting Hardware
- Stationery Shelf Tray
- Key Board Tray
- Earthing Kit
- Temperature sensor
- Support Angle
- Digital Lock
- Base Plinth
- Led Light
- Vertical Cable Manager



TECHNICAL SPECIFICATION

Rack Standard	Conform to DIN 41494 or equivalent standard
Construction	Welded or CKD (Knockdown)
Front Door	Lockable front toughened Glass Door / Perforated / Split Dual
Rear Door	Lockable Rear Door / Perforated / Split Dual
Side Panel	Vented with slam latches and lock provision.
Wheel	Castor Wheels (Breaks - without Breaks)
Basic Frame	Mild Steel
Equipment Mounting	DIN Std 10mm sq slots
Mounting Angle	19" Mounting angle made of formed steel 2mm thickness
Standard Finish	Powder coated
Top and Bottom Cover	Welded to Frame or CKD, vented and cable entry provision
Standard Color	Grey, off white and black
Load Capacity	500-1200 Kg (Customized as per load capacity)

FLOOR STANDING NETWORKING & SERVER RACKS PART CODE & DIMENSIONS

PART CODE	TOTAL HEIGHT IN MM (H)	USABLE HEIGHT (H)	TOTAL WIDTH IN MM (W)	USABLE WIDTH IN INCHES (W)	TOTAL DEPTH IN MM (D)	USABLE DEPTH IN MM (D)
DRT-SS-6060-18U	880	18U	600	19"	600	520
DRT-SS-6060-22U	1060	22U	600	19"	600	520
DRT-SS-6060-24U	1166	24U	600	19"	600	520
DRT-SS-6060-27U	1300	27U	600	19"	600	520
DRT-SS-6060-32U	1525	32U	600	19"	600	520
DRT-SS-6060-36U	1685	36U	600	19"	600	520
DRT-SS-6060-42U	1960	42U	600	19"	600	520
DRT-SS-6060-45U	2100	45U	600	19"	600	520
DRT-SS-6060-48U	2220	48U	600	19"	600	520



PRODUCT SUMMARY

DATARACK floor standing rack are specially designed for networking / server / audio video /data center and telecom applications. DATARACK are made of cold-rolled steel sheet and proceeded with Laser cutting, CNC bending, welding, and powder coated to meet industrial, ISO 9001-2015 and I4001-2015 standards. All product manufactured by DATARACK conforms to standards. DATARACK floor standing steel racks are in welded or CKD construction with 4 pillars. Top and bottom welded, ribbed, and provided with reinforced frames and supported by 6nos. of depth channels for extra rigidity.

DATARACK Floor standing steel racks are having ventilated top and bottom cover with cut-out for cable access, Provision for Fans, and fan tray mounting. Front single or dual doors, glass/Vented/Plain/Perforated (Round/Convex) with single- or 3-point locks, Rear single/dual door with vented/perforated/plain with single- or 3-point locks. Side panels partially vented/plain. Racks with 4 nos. of heavy-duty caster wheels (2 with brake and 2 nos. without brake) / adjustable legs/plinth. Racks are available from 18U - 48U Variants with 600 & 800mm width and 600, 800, 1000 & 1200mm depth

Note:

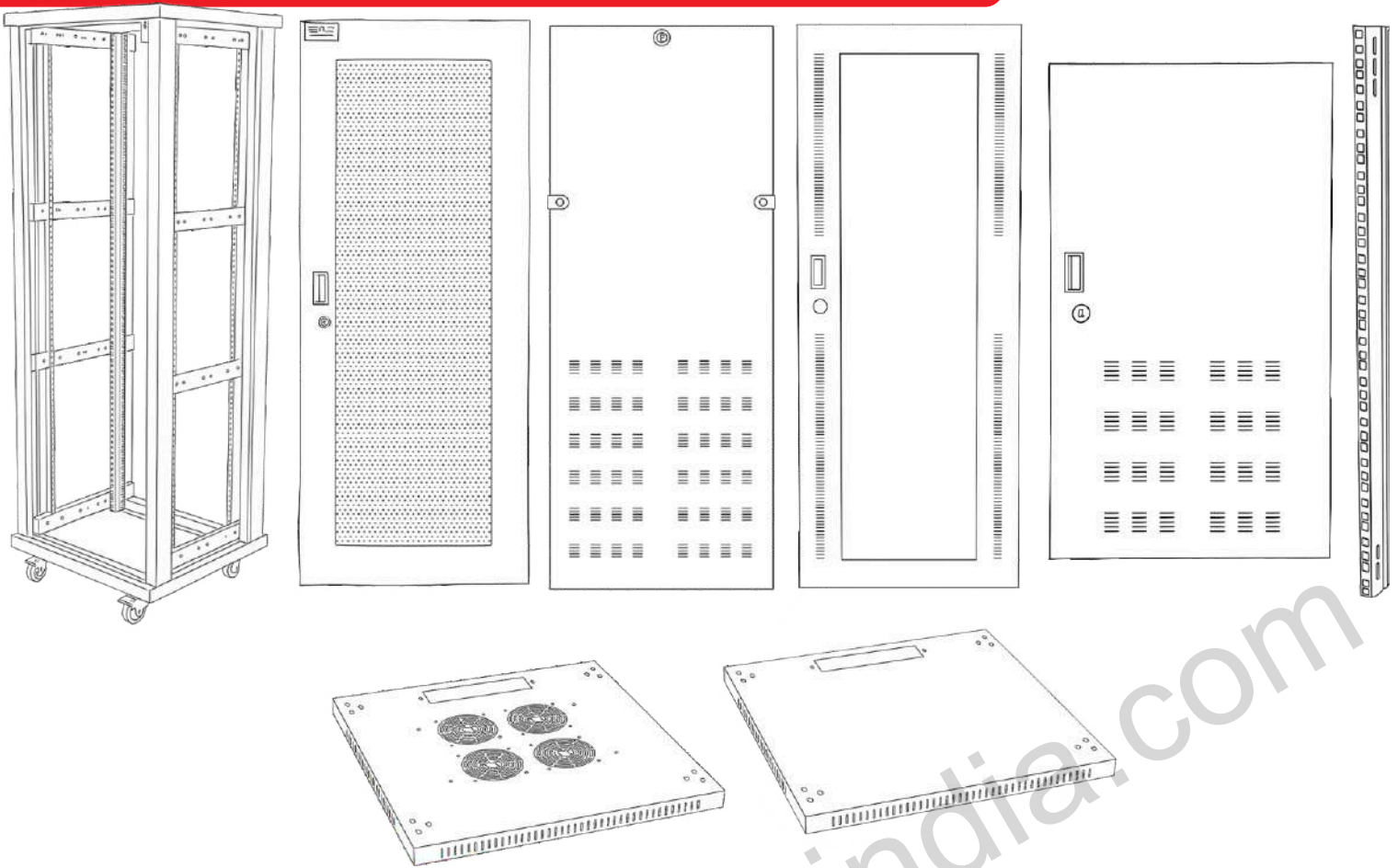
- We can make customized requirements and other models on request
- 1U = 44.45mm

PRODUCT FEATURES

- Conforms to DIN 41494 OR equivalent ISO Standards
- Adjustable 19" equipment mounting verticals provide better mounting flexibility and maximizes the usable mounting space
- Depth adjustable mounting slots
- Precision engineering capabilities and best efficient software configuration product technology provide the best product quality and fastest delivery in the industry
- Top and bottom Panel with ventilation and cable entry provision
- Provision to mount cooling fans on the top panel
- Powder coated finish
- 100% assured compatibility with all equipment conforming to DIN 41494 (General industrial standard for equipment)

OPTIONAL ACCESSORIES

- Cooling Fans
- Power Distribution Units
- 1U Cable Manager MS or PVC
- Cantilever Tray / Shelf Tray
- Mounting Hardware
- Stationery Shelf Tray
- Key Board Tray
- Earthing Kit
- Temperature sensor
- Support Angle
- Digital Lock
- Base Plinth
- Led Light
- Vertical Cable Manager



TECHNICAL SPECIFICATION

Rack Standard	Conform to DIN 41494 or equivalent standard
Construction	Welded or CKD (Knockdown)
Front Door	Lockable front toughened Glass Door / Perforated / Split Dual
Rear Door	Lockable Rear Door / Perforated / Split Dual
Side Panel	Vented with slam latches and lock provision.
Wheel	Castor Wheels (Breaks • without Breaks)
Basic Frame	Mild Steel
Equipment Mounting	DIN Std 10mm sq slots
Mounting Angle	19" Mounting angle made of formed steel 2mm thickness
Standard Finish	Powder coated
Top and Bottom Cover	Welded to Frame or CKD, vented and cable entry provision
Standard Color	Grey, off white and black
Load Capacity	500-1200 Kg (Customized as per load capacity)

FLOOR STANDING NETWORKING & SERVER RACKS PART CODE & DIMENSIONS

PART CODE	TOTAL HEIGHT IN MM (H)	USABLE HEIGHT (H)	TOTAL WIDTH IN MM (W)	USABLE WIDTH IN INCHES (W)	TOTAL DEPTH IN MM (D)	USABLE DEPTH IN MM (D)
DRT-SS-6080-22U	1060	22U	600	19"	800	720
DRT-SS-6080-24U	1166	24U	600	19"	800	720
DRT-SS-6080-27U	1300	27U	600	19"	800	720
DRT-SS-6080-32U	1525	32U	600	19"	800	720
DRT-SS-6080-36U	1685	36U	600	19"	800	720
DRT-SS-6080-42U	1960	42U	600	19"	800	720
DRT-SS-6080-45U	2100	45U	600	19"	800	720
DRT-SS-6080-48U	2220	48U	600	19"	800	720



PRODUCT SUMMARY

DATARACK floor standing rack are specially designed for networking / server / audio video /data center and telecom applications. DATARACK are made of cold-rolled steel sheet and proceeded with Laser cutting, CNC bending, welding, and powder coated to meet industrial, ISO 9001-2015 and 14001-2015 standards. All product manufactured by DATARACK conforms to standards. DATARACK floor standing steel racks are in welded or CKD construction with 4 pillars. Top and bottom welded, ribbed, and provided with reinforced frames and supported by 6nos. of depth channels for extra rigidity.

DATARACK Floor standing steel racks are having ventilated top and bottom cover with cut-out for cable access, Provision for Fans, and fan tray mounting. Front single or dual doors, glass/Vented/Plain/Perforated (Round/Convex) with single- or 3-point locks. Rear single/dual door with vented/perforated/plain with single- or 3-point locks. Side panels partially vented/plain. Racks with 4 nos. of heavy-duty caster wheels (2 with brake and 2 nos. without brake) / adjustable legs/plinth. Racks are available from 18U - 48U Variants with 600 & 800mm width and 600, 800, 1000 & 1200mm depth

Note:

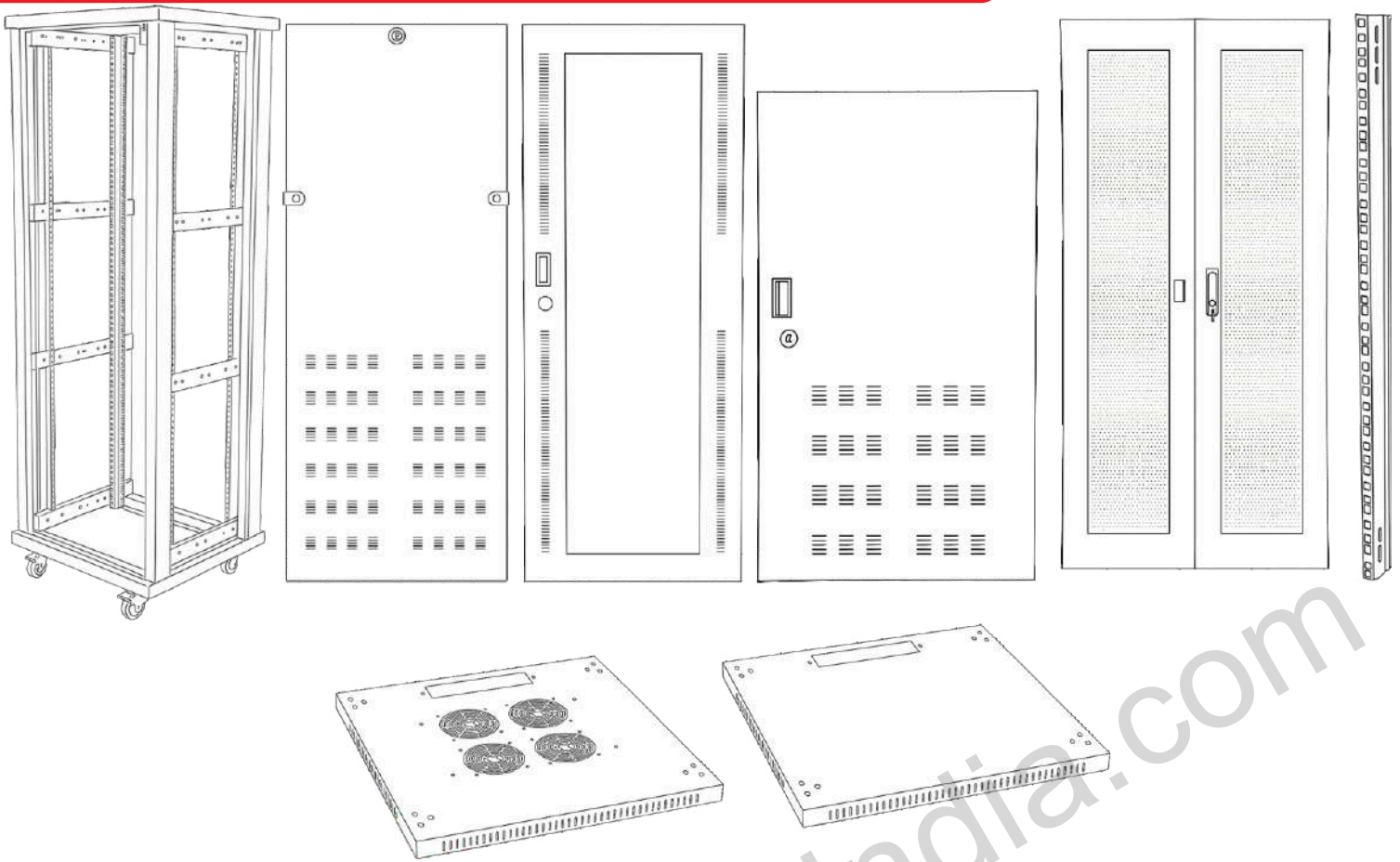
- We can make customized requirements and other models on request
- 1U = 44.45mm

PRODUCT FEATURES

- Conforms to DIN 41494 OR equivalent ISO Standards
- Adjustable 19" equipment mounting verticals provide better mounting flexibility and maximizes the usable mounting space
- Depth adjustable mounting slots
- Precision engineering capabilities and best efficient software configuration product technology provide the best product quality and fastest delivery in the industry
- Top and bottom Panel with ventilation and cable entry provision
- Provision to mount cooling fans on the top panel
- Powder coated finish
- 100% assured compatibility with all equipment conforming to DIN 41494 (General industrial standard for equipment)

OPTIONAL ACCESSORIES

- Cooling Fans
- Power Distribution Units
- 1U Cable Manager MS or PVC
- Cantilever Tray / Shelf Tray
- Mounting Hardware
- Stationery Shelf Tray
- Key Board Tray
- Earthing Kit
- Temperature sensor
- Support Angle
- Digital Lock
- Base Plinth
- Led Light
- Vertical Cable Manager



TECHNICAL SPECIFICATION

Rack Standard	Conform to DIN 41494 or equivalent standard
Construction	Welded or CKD (Knockdown)
Front Door	Lockable front toughened Glass Door / Perforated / Split Dual
Rear Door	Lockable Rear Door / Perforated / Split Dual
Side Panel	Vented with slam latches and lock provision.
Wheel	Castor Wheels (Breaks - without Breaks)
Basic Frame	Mild Steel
Equipment Mounting	DIN Std 10mm sq slots
Mounting Angle	19" Mounting angle made of formed steel 2mm thickness
Standard Finish	Powder coated
Top and Bottom Cover	Welded to Frame or CKD, vented and cable entry provision
Standard Color	Grey, off white and black
Load Capacity	500-1200 Kg (Customized as per load capacity)

FLOOR STANDING NETWORKING & SERVER RACKS PART CODE & DIMENSIONS

PART CODE	TOTAL HEIGHT IN MM (H)	USABLE HEIGHT (H)	TOTAL WIDTH IN MM (W)	USABLE WIDTH IN INCHES (W)	TOTAL DEPTH IN MM (D)	USABLE DEPTH IN MM (D)
DRT-SS-6010-18U	880	18U	600	19"	1000	920
DRT-SS-6010-22U	1060	22U	600	19"	1000	920
DRT-SS-6010-24U	1166	24U	600	19"	1000	920
DRT-SS-6010-27U	1300	27U	600	19"	1000	920
DRT-SS-6010-32U	1525	32U	600	19"	1000	920
DRT-SS-6010-36U	1685	36U	600	19"	1000	920
DRT-SS-6010-42U	1960	42U	600	19"	1000	920
DRT-SS-6010-45U	2100	45U	600	19"	1000	920
DRT-SS-6010-48U	2220	48U	600	19"	1000	920



PRODUCT SUMMARY

DATARACK floor standing rack are specially designed for networking / server / audio video /data center and telecom applications. DATARACK are made of cold-rolled steel sheet and proceeded with Laser cutting, CNC bending, welding, and powder coated to meet industrial. ISO 9001-2015 and 14001-2015 standards. All product manufactured by DATARACK conforms to standards. DATARACK floor standing steel racks are in welded or CKD construction with 4 pillars. Top and bottom welded, ribbed, and provided with reinforced frames and supported by 6nos. of depth channels s for extra rigidity.

DATARACK Floor standing steel racks are having ventilated top and bottom cover with cut-out for cable access. Provision for Fans, and fan tray mounting. Front single or dual doors, glass/Vented/Plain/Perforated (Round/Convex) with single- or 3-point locks, Rear single/dual door with vented/perforated/plain with single- or 3-point locks. Side panels partially vented/plain. Racks with 4 nos. of heavy-duty caster wheels (2 with brake and 2 nos. without brake) / adjustable legs/plinth. Racks are available from 18U - 48U Variants with 600 & 800mm width and 600, 800, 1000 & 1200mm depth

Note:

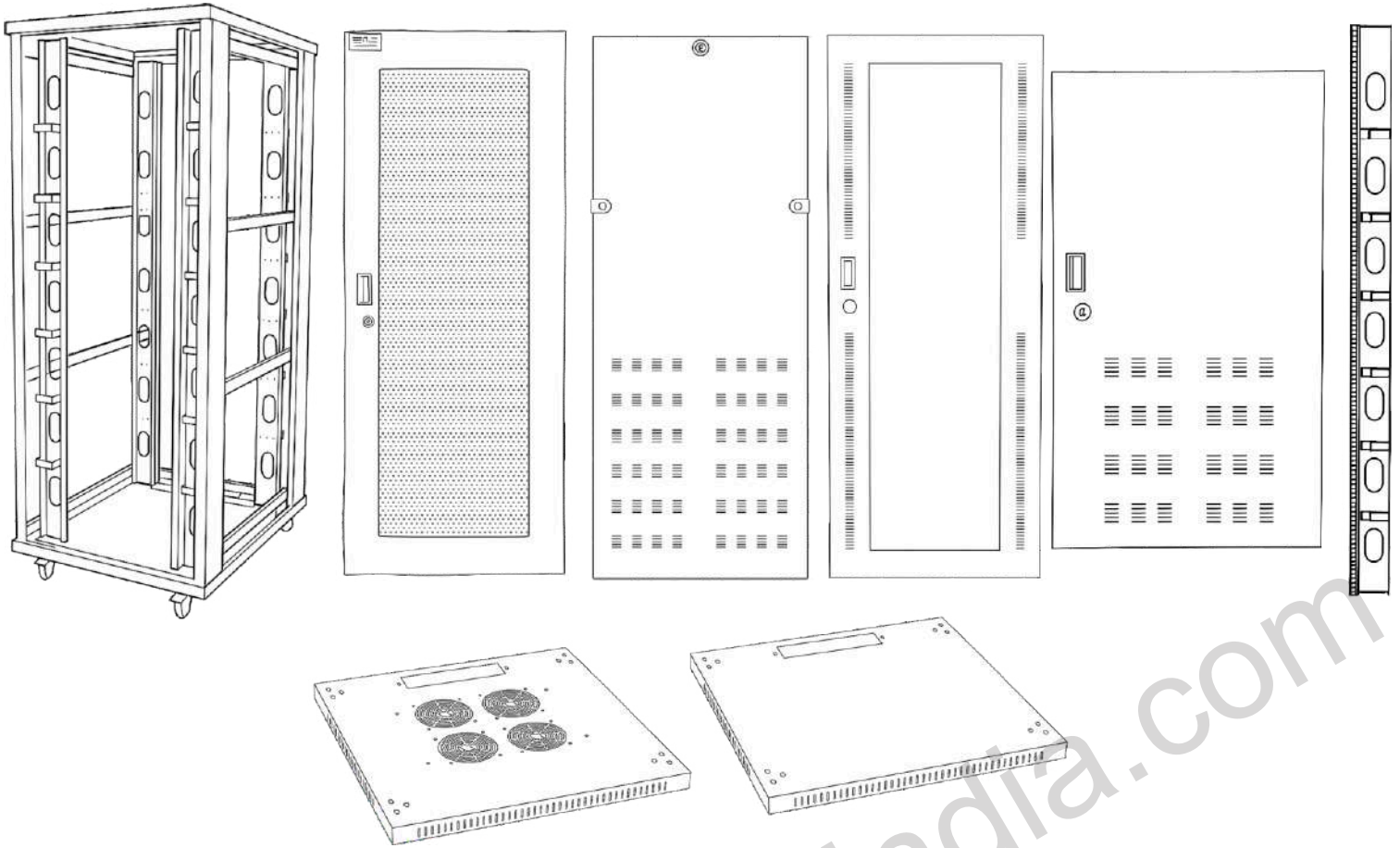
- We can make customized requirements and other models on request
- 1U = 44.45mm

PRODUCT FEATURES

- Conforms to DIN 41494 OR equivalent ISO Standards
- Adjustable 19" equipment mounting verticals provide better mounting flexibility and maximizes the usable mounting space
- Depth adjustable mounting slots
- Precision engineering capabilities and best efficient software configuration product technology provide the best product quality and fastest delivery in the industry
- Top and bottom Panel with ventilation and cable entry provision
- Provision to mount cooling fans on the top panel
- Powder coated finish
- 100% assured compatibility with all equipment conforming to DIN 41494 (General industrial standard for equipment)

OPTIONAL ACCESSORIES

- Cooling Fans
- Power Distribution Units
- 1U Cable Manager MS or PVC
- Cantilever Tray / Shelf Tray
- Mounting Hardware
- Stationery Shelf Tray
- Key Board Tray
- Earthing Kit
- Temperature sensor
- Support Angle
- Digital Lock
- Base Plinth
- Led Light
- Vertical Cable Manager



TECHNICAL SPECIFICATION

Rack Standard	Conform to DIN 41494 or equivalent standard
Construction	Welded or CKD (Knockdown)
Front Door	Lockable front toughened Glass Door / Perforated / Split Dual
Rear Door	Lockable Rear Door / Perforated / Split Dual
Side Panel	Vented with slam latches and lock provision.
Wheel	Castor Wheels (Breaks - without Breaks)
Basic Frame	Mild Steel
Equipment Mounting	DIN Std 10mm sq slots
Mounting Angle	19" Mounting angle made of formed steel 2mm thickness
Standard Finish	Powder coated
Top and Bottom Cover	Welded to Frame or CKD, vented and cable entry provision
Standard Color	Grey, off white and black
Load Capacity	500-1200 Kg (Customized as per load capacity)

**FLOOR STANDING NETWORKING & SERVER RACKS
PART CODE & DIMENSIONS**

PART CODE	TOTAL HEIGHT IN MM (H)	USABLE HEIGHT (H)	TOTAL WIDTH IN MM (W)	USABLE WIDTH IN INCHES (W)	TOTAL DEPTH IN MM (D)	USABLE DEPTH IN MM (D)
DRT-SS-8080-24U	1166	24U	800	19"	800	720
DRT-SS-8080-27U	1300	27U	800	19"	800	720
DRT-SS-8080-32U	1525	32U	800	19"	800	720
DRT-SS-8080-36U	1685	36U	800	19"	800	720
DRT-SS-8080-42U	1960	42U	800	19"	800	720
DRT-SS-8080-45U	2100	45U	800	19"	800	720
DRT-SS-8080-48U	2220	48U	800	19"	800	720



PRODUCT SUMMARY

DATARACK floor standing rack are specially designed for networking / server / audio video /data center and telecom applications. DATARACK are made of cold-rolled steel sheet and proceeded with Laser cutting, CNC bending, welding, and powder coated to meet industrial, ISO 9001-2015 and 14001-2015 standards. All product manufactured by DATARACK conforms to standards. DATARACK floor standing steel racks are in welded or CKD construction with 4 pillars. Top and bottom welded, ribbed, and provided with reinforced frames and supported by 6nos. of depth channels s for extra rigidity.

DATARACK Floor standing steel racks are having ventilated top and bottom cover with cut-out for cable access, Provision for Fans, and fan tray mounting. Front single or dual doors, glass/Vented/Plain/Perforated (Round/Convex) with single- or 3-point locks, Rear single/dual door with vented/perforated/plain with single- or 3-point locks. Side panels partially vented/plain. Racks with 4 nos. of heavy-duty caster wheels (2 with brake and 2 nos. without brake) / adjustable legs/plinth. Racks are available from 18U - 48U Variants with 600 & 800mm width and 600, 800, 1000 & 1200mm depth

Note:

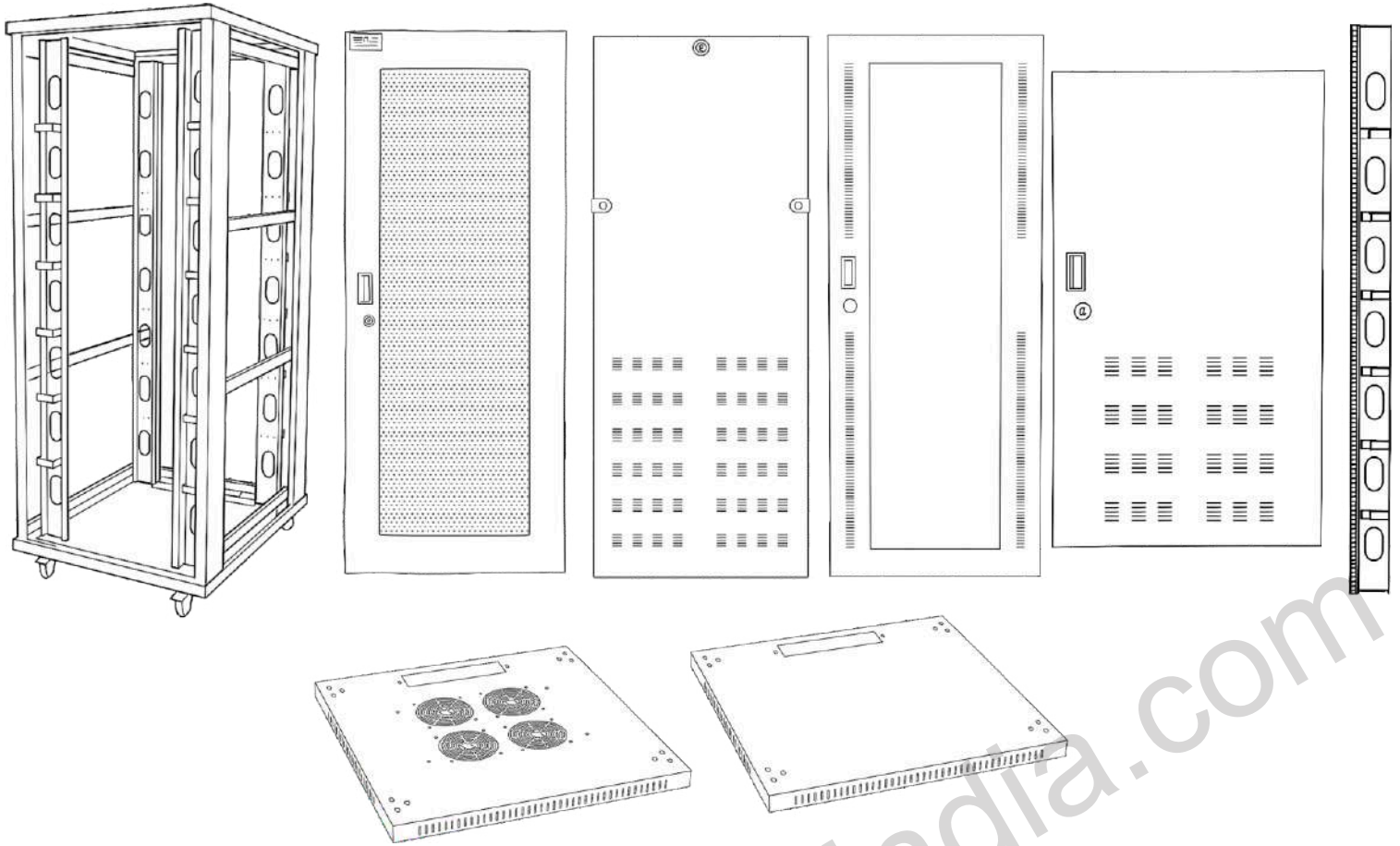
- We can make customized requirements and other models on request
- 1U = 44.45mm

PRODUCT FEATURES

- Conforms to DIN 41494 OR equivalent ISO Standards
- Adjustable 19" equipment mounting verticals provide better mounting flexibility and maximizes the usable mounting space
- Depth adjustable mounting slots
- Precision engineering capabilities and best efficient software configuration product technology provide the best product quality and fastest delivery in the industry
- Top and bottom Panel with ventilation and cable entry provision
- Provision to mount cooling fans on the top panel
- Powder coated finish
- 100% assured compatibility with all equipment conforming to DIN 41494 (General industrial standard for equipment)

OPTIONAL ACCESSORIES

- Cooling Fans
- Power Distribution Units
- 1U Cable Manager MS or PVC
- Cantilever Tray / Shelf Tray
- Mounting Hardware
- Stationery Shelf Tray
- Key Board Tray
- Earthing Kit
- Temperature sensor
- Support Angle
- Digital Lock
- Base Plinth
- Led Light
- Vertical Cable Manager



TECHNICAL SPECIFICATION

Rack Standard	Conform to DIN 41494 or equivalent standard
Construction	Welded or CKD (Knockdown)
Front Door	Lockable front toughened Glass Door / Perforated / Split Dual
Rear Door	Lockable Rear Door / Perforated / Split Dual
Side Panel	Vented with slam latches and lock provision.
Wheel	Castor Wheels (Breaks - without Breaks)
Basic Frame	Mild Steel
Equipment Mounting	DIN Std 10mm sq slots
Mounting Angle	19" Mounting angle made of formed steel 2mm thickness
Standard Finish	Powder coated
Top and Bottom Cover	Welded to Frame or CKD, vented and cable entry provision
Standard Color	Grey, off white and black
Load Capacity	500-1200 Kg (Customized as per load capacity)

FLOOR STANDING NETWORKING & SERVER RACKS PART CODE & DIMENSIONS

PART CODE	TOTAL HEIGHT IN MM (H)	USABLE HEIGHT (H)	TOTAL WIDTH IN MM (W)	USABLE WIDTH IN INCHES (W)	TOTAL DEPTH IN MM (D)	USABLE DEPTH IN MM (D)
DRT-SS-8010-24U	1166	24U	800	19"	1000	920
DRT-SS-8010-27U	1300	27U	800	19"	1000	920
DRT-SS-8010-32U	1525	32U	800	19"	1000	920
DRT-SS-8010-36U	1685	36U	800	19"	1000	920
DRT-SS-8010-42U	1960	42U	800	19"	1000	920
DRT-SS-8010-45U	2100	45U	800	19"	1000	920
DRT-SS-8010-48U	2220	48U	800	19"	1000	920



PRODUCT SUMMARY

DATARACK floor standing rack are specially designed for networking / server / audio video /data center and telecom applications. DATARACK are made of cold-rolled steel sheet and proceeded with Laser cutting, CNC bending, welding, and powder coated to meet industrial, ISO 9001-2015 and 14001-2015 standards. All product manufactured by DATARACK conforms to standards. DATARACK floor standing steel racks are in welded or CKD construction with 4 pillars. Top and bottom welded, ribbed, and provided with reinforced frames and supported by 6nos. of depth channels s for extra rigidity.

DATARACK Floor standing steel racks are having ventilated top and bottom cover with cut-out for cable access. Provision for Fans, and fan tray mounting. Front single or dual doors, glass/Vented/Plain/Perforated (Round/Convex) with single- or 3-point locks, Rear single/dual door with vented/perforated/plain with single- or 3-point locks. Side panels partially vented/plain. Racks with 4 nos. of heavy-duty caster wheels (2 with brake and 2 nos. without brake) / adjustable legs/plinth. Racks are available from 18U - 48U Variants with 600 & 800mm width and 600, 800, 1000 & 1200mm depth

Note:

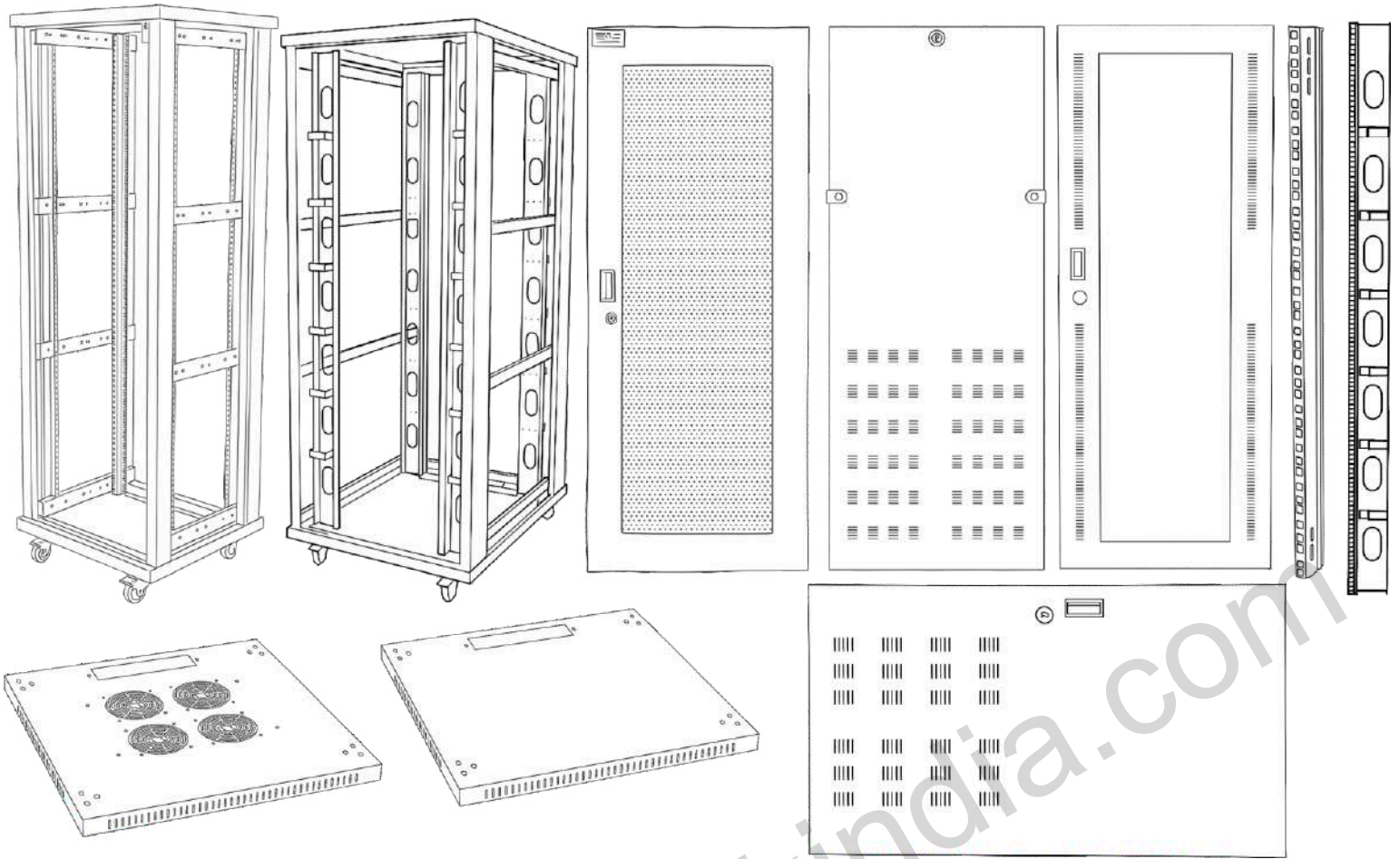
- We can make customized requirements and other models on request
- 1U = 44.45mm

PRODUCT FEATURES

- Conforms to DIN 41494 OR equivalent ISO Standards
- Adjustable 19" equipment mounting verticals provide better mounting flexibility and maximizes the usable mounting space
- Depth adjustable mounting slots
- Precision engineering capabilities and best efficient software configuration product technology provide the best product quality and fastest delivery in the industry
- Top and bottom Panel with ventilation and cable entry provision
- Provision to mount cooling fans on the top panel
- Powder coated finish
- 100% assured compatibility with all equipment conforming to DIN 41494 (General industrial standard for equipment)

OPTIONAL ACCESSORIES

- Cooling Fans
- Power Distribution Units
- 1U Cable Manager MS or PVC
- Cantilever Tray / Shelf Tray
- Mounting Hardware
- Stationery Shelf Tray
- Key Board Tray
- Earthing Kit
- Temperature sensor
- Support Angle
- Digital Lock
- Base Plinth
- Led Light
- Vertical Cable Manager



TECHNICAL SPECIFICATION

Rack Standard	Conform to DIN 41494 or equivalent standard
Construction	Welded or CKD (Knockdown)
Front Door	Lockable front toughened Glass Door / Perforated / Split Dual
Rear Door	Lockable Rear Door / Perforated / Split Dual
Side Panel	Vented with slam latches and lock provision.
Wheel	Castor Wheels (Breaks - without Breaks)
Basic Frame	Mild Steel
Equipment Mounting	DIN Std 10mm sq slots
Mounting Angle	19" Mounting angle made of formed steel 2mm thickness
Standard Finish	Powder coated
Top and Bottom Cover	Welded to Frame or CKD, vented and cable entry provision
Standard Color	Grey, off white and black
Load Capacity	500-1200 Kg (Customized as per load capacity)

**FLOOR STANDING NETWORKING & SERVER RACKS
PART CODE & DIMENSIONS**

PART CODE	TOTAL HEIGHT IN MM (H)	USABLE HEIGHT (H)	TOTAL WIDTH IN MM (W)	USABLE WIDTH IN INCHES (W)	TOTAL DEPTH IN MM (D)	USABLE DEPTH IN MM (D)
DRT-SS-6012-42U	1960	42U	600	19"	1200	1120
DRT-SS-6012-45U	1960	45U	600	19"	1200	1120
DRT-SS-6012-48U	2220	48U	600	19"	1200	1120
DRT-SS-8012-42U	1960	42U	800	19"	1200	1120
DRT-SS-8012-45U	1960	45U	800	19"	1200	1120
DRT-SS-8012-48U	2220	48U	800	19"	1200	1120



PRODUCT SUMMARY

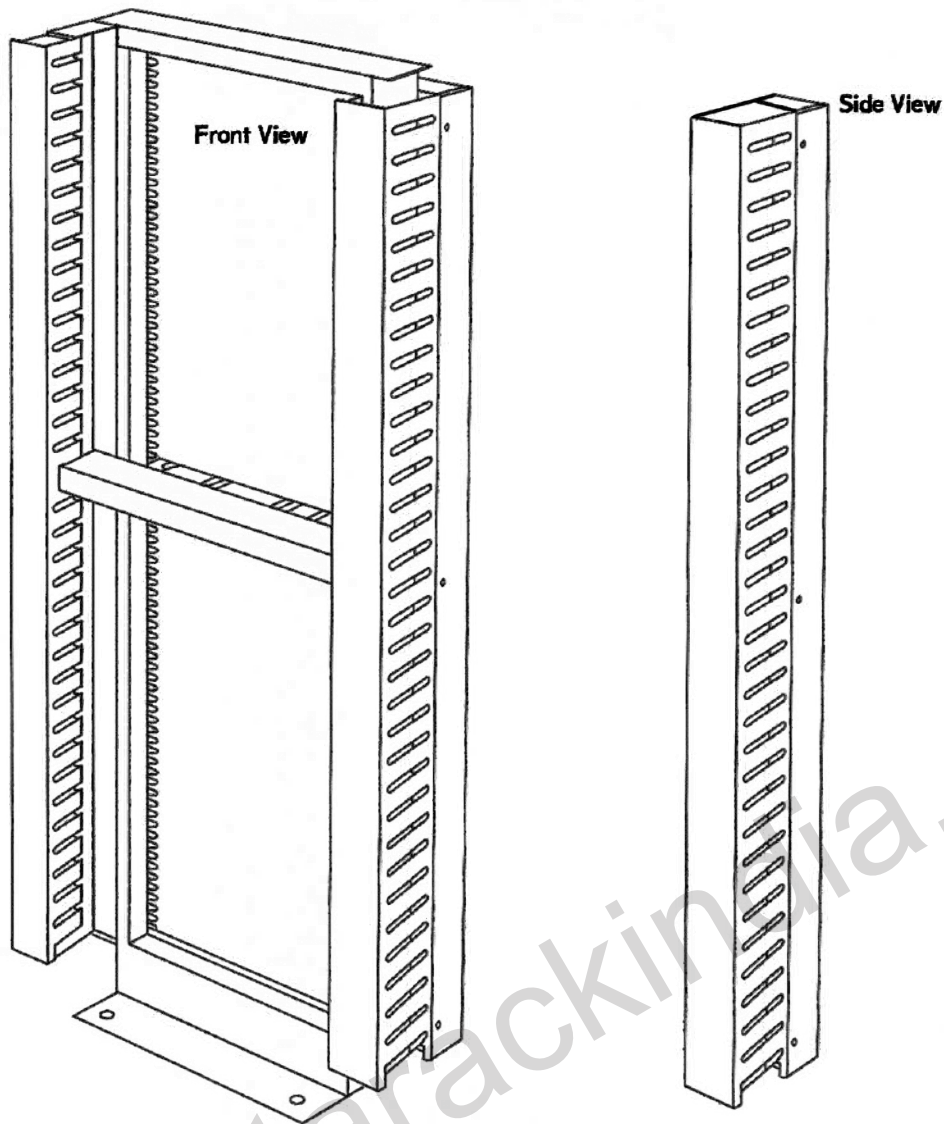
DATARACK 2 post open frame ultra-rigid racks for high-density application for networking and data centre applications. The rack vertical frames are made out of MS Sheet / Aluminium profiles with powder coated and high-quality manufacturing standards. Product available in 42U & 45U variants.

PRODUCT FEATURES

- Conforms to DIN 41494 or Equivalent ISO standard.
- Two top angles and heavy-duty assembly hardware for a rack to handle heavier loading.
- Easy of assembling by high quality fasteners.
- High-strength, lightweight MS sheet / aluminum channels .
- Panel Mounting Holes: M6/12-24/cage nut M6 threads in both flanges.
- Conductive M6 tapped/12-24/cage nut M6 DIN standard holes-100% assured conductivity with the rack. Eliminate Separate grounding strip.
- Powder Coated provide a uniform appearance and protection against aluminum oxidation corrosion.
- Weight capacity of 300 – 700 Kgs Static
- 100% assured compatibility with all equipment conforming to DIN 41494. (General industrial standard)
- Grounding & bonding options.
- Custom configurations and assemblies available by special order.

OPTIONAL ACCESSORIES

- Cable organizers (Vertical Cable Manager PVC)
- 1U/2U Cantilever Tray
- Power distribution units
- Rack ground kit
- Cable runways (Ladder)
- Extended leg/casters



TECHNICAL SPECIFICATION

Rack Standard Construction Basic Frame Equipment Mounting Standard Finish Standard Mounting Standard Color Load Capacity	Conform to DIN 41494 or equivalent standard Welded or CKD (Knockdown) Mild Steel / Aluminum DIN Std M6 tapping Powder coated Grouting Black 500-1000Kgs
---	--

DATARACK 2 POST OPEN FRAME RACK PART CODE & DIMENSIONS

PART CODE	TOTAL HEIGHT IN MM (H)	USABLE HEIGHT (H)	TOTAL WIDTH IN MM (W)	USABLE WIDTH IN INCHES (W)	TOTAL DEPTH IN MM (D)
DRT-2PO-42U	2005	42U	780	19"	300
DRT-2PO-45U	2130	45U	780	19"	300



PRODUCT SUMMARY

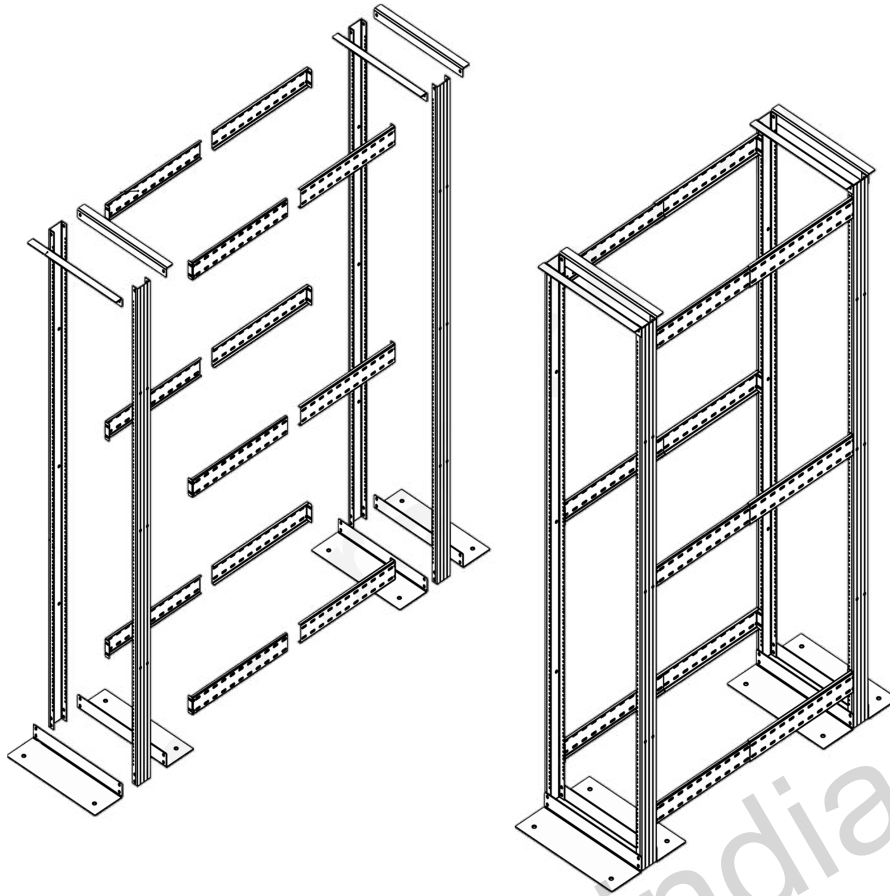
DATARACK 4 post open frame ultra-rigid racks for high-density application for networking and data centre applications. The rack vertical frames are made out of MS Sheet with powder coated and high-quality manufacturing standards. Product available in 42U & 45U variants.

PRODUCT FEATURES

- Conforms to DIN 41494 or Equivalent ISO standard.
- Two top angles and heavy-duty assembly hardware for a rack to handle heavier loading.
- Easy of assembling by high quality fasteners.
- High-strength, lightweight MS sheet / aluminum channels.
- Panel Mounting Holes: M6/12-24/cage nut M6 threads in both flanges.
- Conductive M6 tapped/12-24/cage nut M6 DIN standard holes-100% assured conductivity with the rack. Eliminate Separate grounding strip.
- Powder Coated provide a uniform appearance and protection against aluminum oxidation corrosion.
- Weight capacity of 300 – 700 Kgs Static
- 100% assured compatibility with all equipment conforming to DIN 41494. (General industrial standard)
- Grounding & bonding options.
- Custom configurations and assemblies available by special order.

OPTIONAL ACCESSORIES

- Cable organizers (Vertical Cable Manager PVC / METAL)
- 1U/2U Cantilever Tray
- Power distribution units
- Rack ground kit
- Cable runways (Ladder)
- Extended leg/casters



TECHNICAL SPECIFICATION

Rack Standard

Construction

Basic Frame

Equipment Mounting

Standard Finish

Standard Mounting

Standard Color

Load Capacity

Conform to DIN 41494 or equivalent standard

Welded or CKD (Knockdown)

Mild Steel / Aluminum

DIN Std M6 tapping

Powder coated

Grouting

Black

300-700Kgs

DATARACK 4 POST OPEN FRAME RACK PART CODE & DIMENSIONS

PART CODE	TOTAL HEIGHT IN MM (H)	USABLE HEIGHT (H)	TOTAL WIDTH IN MM (W)	USABLE WIDTH IN INCHES (W)	TOTAL DEPTH IN MM (D)
DRT-4PO-6060-42U	2005	42U	600	19"	600
DRT-4PO-6080-42U	2005	42U	600	19"	800
DRT-4PO-6010-42U	2005	42U	600	19"	1000
DRT-4PO-8080-42U	2005	42U	800	19"	800
DRT-4PO-8010-42U	2005	42U	800	19"	1000
DRT-4PO-6060-45U	2005	45U	600	19"	600
DRT-4PO-6080-45U	2005	45U	600	19"	800
DRT-4PO-6010-45U	2005	45U	600	19"	1000
DRT-4PO-8080-45U	2005	45U	800	19"	800
DRT-4PO-8010-45U	2005	45U	800	19"	1000



PRODUCT SUMMARY

DATARACK Wall / Pole or Floor mount Rack specially designed for Outdoor Purpose Networking, Domestic application, Audio Video, Telecom. Rack is fabricated out of CRAC Steel / Galvanized Steel, Powder coated with highest quality standards.

Configuration for standard racks is welded top, bottom and side panel with fan mounting provision on front door or side, provision to mount the rack on the wall / pole and front door with rubber gasket or lock and key provides you the security for your equipment's, cable entry from bottom, IP 55 / 65 / 66 dust and water protection.

Racks are available from 4U - 15U Variants with Following Dimension:
Width - 550mm / 600mm x Depth - 400mm / 500mm / 600mm

Note:

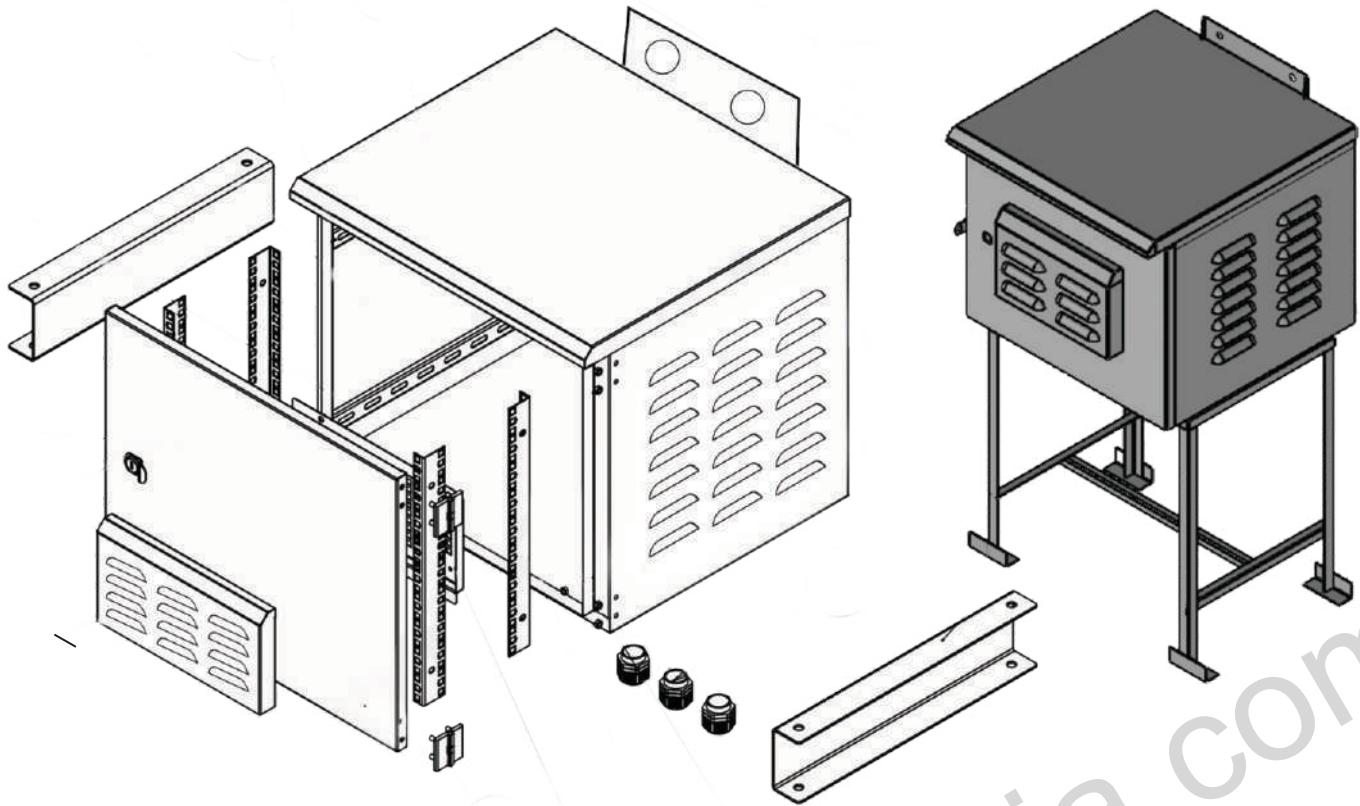
- We can make customized requirements and other models on request
- 1U = 44.45mm

PRODUCT FEATURES

- Conforms to DIN 41494 OR equivalent ISO Standards
- Adjustable 19" equipment mounting verticals provide better mounting flexibility and maximizes the usable mounting space
- Depth adjustable mounting slots
- Precision engineering capabilities and best efficient software configuration product technology provide the best product quality and fastest delivery in the industry
- Side / Front door with ventilation and cable entry provision on bottom panel
- Provision to mount cooling fans on front door or side panel 1 or 2 Fans
- Powder coated finish
- Grounding and Bonding Options. 100% assured compatibility with all equipment conforming to DIN 41494 (General industrial standard for equipment)

OPTIONAL ACCESSORIES

- Cooling Fans
- Power Distribution Units
- Cable Manager MS or PVC
- Cantilever Tray / Shelf Tray
- Mounting Hardware
- Dust Filter



TECHNICAL SPECIFICATION

Rack Standard	Conform to DIN 41494 or equivalent standard
Construction	Welded
Front Door	Lockable With Rubber Gasket
Basic Frame	Mild Steel / Galvanized Steel
Equipment Mounting	DIN Std 10mm sq slots
Mounting Angle	19" Mounting angle made of formed steel
Standard Finish	Powder coated
Top, Bottom, Side and back	Welded, vented and cable entry provision on the bottom
Standard Color	Pure Polyester Grey RAL 7035
Mounting provision	Wall / Pole (Bracket)
Static Load	20Kg – 65Kg

DATARACK OUTDOOR WALL /POLE MOUNT RACKS PART CODE & DIMENSIONS

PART CODE	TOTAL HEIGHT IN MM (H)	USABLE HEIGHT (H)	TOTAL WIDTH IN MM (W)	USABLE WIDTH IN INCHES (W)	TOTAL DEPTH IN MM (D)	USABLE DEPTH IN MM (D)
DRT-ODWM-5540-04U	230	4U	550	19"	400	350
DRT-ODWM-5540-06U	330	6U	550	19"	400	350
DRT-ODWM-5550-06U	330	6U	550	19"	500	450
DRT-ODWM-5560-06U	330	6U	550	19"	600	550
DRT-ODWM-5540-09U	450	9U	550	19"	400	350
DRT-ODWM-5550-09U	450	9U	550	19"	500	450
DRT-ODWM-5560-09U	450	9U	550	19"	600	550
DRT-ODWM-5540-12U	600	12U	550	19"	400	350
DRT-ODWM-5550-12U	600	12U	550	19"	500	450
DRT-ODWM-5560-12U	600	12U	550	19"	600	550
DRT-ODWM-5540-15U	730	15U	550	19"	400	350
DRT-ODWM-5550-15U	730	15U	550	19"	500	450
DRT-ODWM-5560-15U	730	15U	550	19"	600	550



PRODUCT SUMMARY

DATARACK Floor mount outdoor rack specially designed for Outdoor Purpose Networking and Telecom. Rack is fabricated out of CRAC Steel / Galvanized Steel, Powder coated with highest quality standards.

Configuration for standard racks is welded top, bottom and side panel with fan mounting provision on front door or side, Outdoor rack floor standing and front door with rubber gasket or lock and key provides you the security for your equipment's, cable entry from bottom, IP 55 / 65 / 66 dust and water protection.

Racks are available from 17 - 42U Variants with Following Dimension:

Width - 600mm/800mm x Depth - 600mm / 800mm / 1000mm/1200mm

Note:

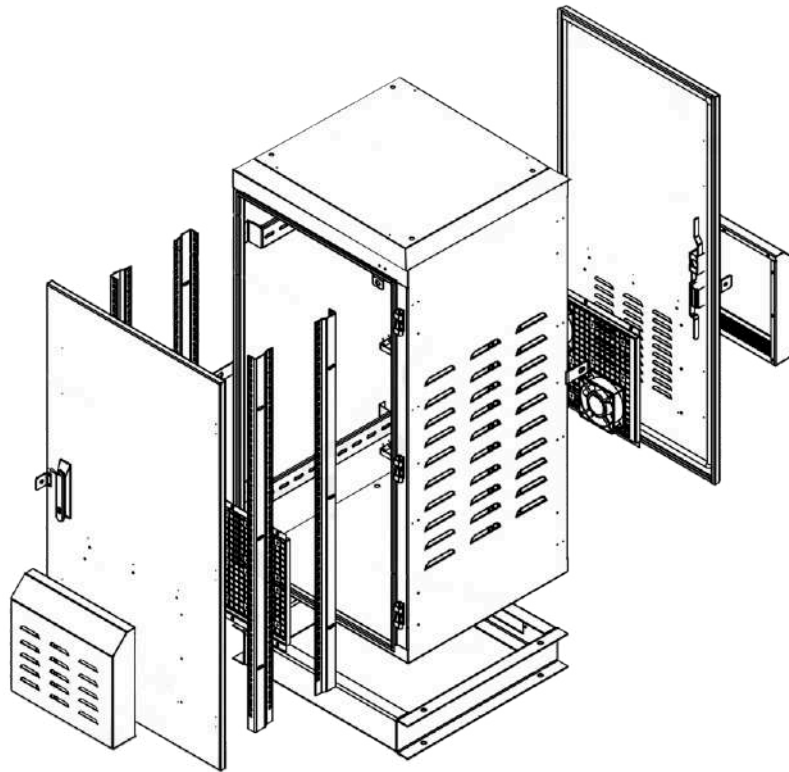
- We can make customized requirements and other models on request
- 1U = 44.45mm

PRODUCT FEATURES

- Conforms to DIN 41494 OR equivalent ISO Standards
- Adjustable 19" equipment mounting verticals provide better mounting flexibility and maximizes the usable mounting space
- Depth adjustable mounting slots
- Precision engineering capabilities and best efficient software configuration product technology provide the best product quality and fastest delivery in the industry
- Side / Front door with ventilation and cable entry provision on bottom panel
- Provision to mount cooling fans on front door or side panel
- Powder coated finish
- Grounding and Bonding Options. 100% assured compatibility with all equipment conforming to DIN 41494 (General industrial standard for equipment)
- Base frame for floor standing

OPTIONAL ACCESSORIES

- Cooling Fans
- Power Distribution Units
- Cable Manager MS or PVC
- Cantilever Tray / Shelf Tray
- Mounting Hardware
- Dust Filter



TECHNICAL SPECIFICATION

Rack Standard	Conform to DIN 41494 or equivalent standard
Construction	Welded
Front Door	Lockable With Rubber Gasket
Basic Frame	Mild Steel / Galvanized Steel
Equipment Mounting	DIN Std 10mm sq slots
Mounting Angle	19" Mounting angle made of formed steel
Standard Finish	Powder coated
Top, Bottom, Side and back	Welded, vented and cable entry provision on the bottom
Standard Color	Pure Polyester Grey RAL 7035
Mounting provision	Floor Standing
Base Frame	200mm Height for floor standing
Static Load	200 – 1000 Kg

OUTDOOR FLOOR STANDING SERIES PART CODE & DIMENSIONS

PART CODE	TOTAL HEIGHT IN MM (H)	USABLE HEIGHT (H)	TOTAL WIDTH IN MM (W)	USABLE WIDTH IN INCHES (W)	TOTAL DEPTH IN MM (D)	USABLE DEPTH IN MM (D)
DRT-ODFS-6060-17U	850	17U	600	19"	600	550
DRT-ODFS-6060-18U	900	18U	600	19"	600	550
DRT-ODFS-6060-22U	1070	22U	600	19"	600	550
DRT-ODFS-6060-24U	1150	24U	600	19"	600	550
DRT-ODFS-6060-27U	1280	27U	600	19"	600	550
DRT-ODFS-6060-32U	1500	32U	600	19"	600	550
DRT-ODFS-6060-36U	1680	36U	600	19"	600	550
DRT-ODFS-6060-42U	2000	42U	600	19"	600	550
DRT-ODFS-6080-17U	850	17U	600	19"	800	750
DRT-ODFS-6080-18U	900	18U	600	19"	800	750
DRT-ODFS-6080-22U	1070	22U	600	19"	800	750
DRT-ODFS-6080-24U	1150	24U	600	19"	800	750
DRT-ODFS-6080-27U	1280	27U	600	19"	800	750
DRT-ODFS-6080-32U	1500	32U	600	19"	800	750
DRT-ODFS-6080-36U	1680	36U	600	19"	800	750
DRT-ODFS-6080-42U	2000	42U	600	19"	800	750
DRT-ODFS-6010-17U	850	17U	600	19"	1000	950
DRT-ODFS-6010-18U	900	18U	600	19"	1000	950
DRT-ODFS-6010-22U	1070	22U	600	19"	1000	950
DRT-ODFS-6010-24U	1150	24U	600	19"	1000	950
DRT-ODFS-6010-27U	1280	27U	600	19"	1000	950
DRT-ODFS-6010-32U	1500	32U	600	19"	1000	950
DRT-ODFS-6010-36U	1680	36U	600	19"	1000	950
DRT-ODFS-6010-42U	2000	42U	600	19"	1000	950



PRODUCT SUMMARY

DATARACK Floor Standing Air Conditioners Rack specially designed for Networking / Server and Telecom. Rack is fabricated out of CRAC Steel / Galvanized Steel, Powder coated with highest quality standards.

Configuration for standard racks is welded, Air Conditioners Rack floor standing and front door with rubber gasket or lock and key provides you the security for your equipments, cable entry from bottom, IP 54 / 55 / 65 / 66 dust and water protection.

Racks are available from 17U - 42U Variants with Following Dimension:

Width - 600mm/800mm x Depth 600mm / 800mm / 1000mm/1200mm

Note:

We can make customized requirements and other models on request
1U = 44.45mm

PRODUCT FEATURES

Conforms to DIN 41494 OR equivalent ISO Standards

Adjustable 19 equipment mounting verticals provide better mounting flexibility and maximizes the usable mounting space

Depth adjustable mounting slots

• Precision engineering capabilities and best efficient software configuration product technology provide the best product quality and fastest delivery in the industry

Side Welded / Front door removable and cable entry provision on bottom panel

Provision to Air Conditioners (AC) front door or side panel

Powder coated finish

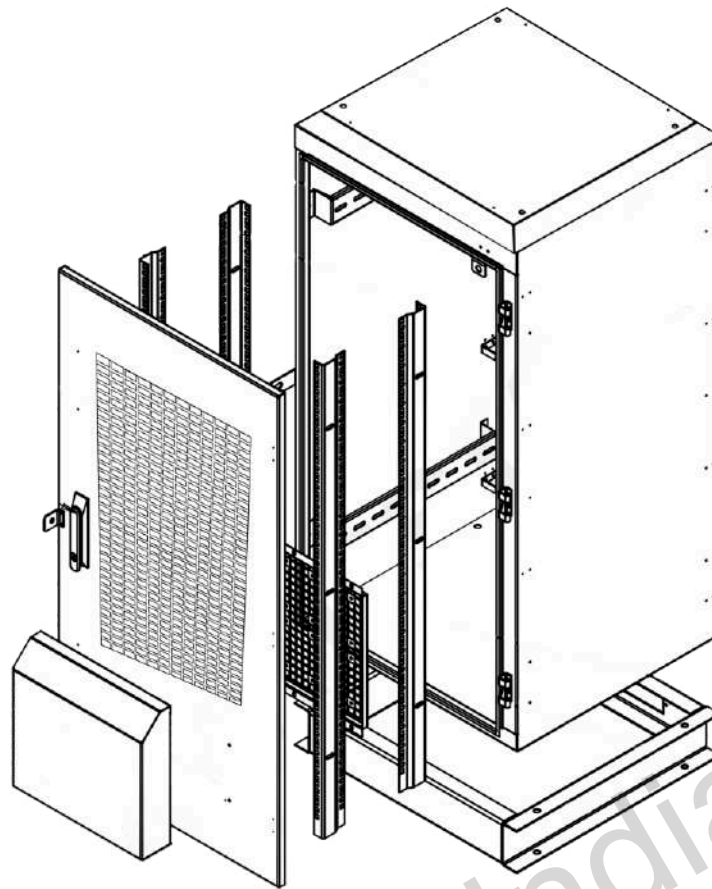
Grounding and Bonding Options. 100% assured compatibility with all equipment conforming to DIN 41494 (General industrial standard for equipment)

Base frame for floor standing

Air Conditioners Panel Available 500 Watt to 5000 Watt

OPTIONAL ACCESSORIES

Power Distribution Units
Cable Manager MS or PVC
Cantilever Tray / Shelf Tray
Mounting Hardware



TECHNICAL SPECIFICATION

Rack Standard	Conform to DIN 41494 or equivalent standard
Construction	Welded
Front Door	Lockable With Rubber Gasket
Basic Frame	Mild Steel / Galvanized Steel
Equipment Mounting	DIN Std 10mm sq slots
Mounting Angle	19" Mounting angle made of formed steel
Standard Finish	Powder coated
Top, Bottom, Side and back	Welded, cable entry provision on the bottom
Standard Color	Pure Polyester Grey RAL 7035
Mounting provision	Floor Standing
Base Frame	200mm Height for floor standing
Static Load	200 □ 1000 Kg
Air conditioners	Compressor Make □ Emerson/Tecumseh / LG
Cooling Motor / Condensing Motor	HI cool / Fanstech / EBM
Air Filter	Nylon Mesh
AC Rack	Available from 500watt to 5000watt

DATARACK AIR-CONDITIONED SERVER RACK PART CODE & DIMENSIONS

PART CODE	TOTAL HEIGHT IN MM (H)	USABLE HEIGHT (H)	TOTAL WIDTH IN MM (W)	USABLE WIDTH IN INCHES (W)	TOTAL DEPTH IN MM (D)	USABLE DEPTH IN MM (D)
DRT-AC-6080-18U	900	18U	600	19"	800	750
DRT-AC-6080-24U	1150	24U	600	19"	800	750
DRT-AC-6080-27U	1280	27U	600	19"	800	750
DRT-AC-6080-32U	1500	32U	600	19"	800	750
DRT-AC-6080-36U	1680	36U	600	19"	800	750
DRT-AC-6080-42U	2000	42U	600	19"	800	750
DRT-AC-6010-18U	900	18U	600	19"	1000	950
DRT-AC-6010-24U	1150	24U	600	19"	1000	950
DRT-AC-6010-27U	1280	27U	600	19"	1000	950
DRT-AC-6010-32U	1500	32U	600	19"	1000	950
DRT-AC-6010-36U	1680	36U	600	19"	1000	950
DRT-AC-6010-42U	2000	42U	600	19"	1000	950



PRODUCT SUMMARY

DATARACK Wall / Pole mount junction box specially designed for Outdoor Purpose Networking and Telecom. Rack is fabricated out of CRAC Steel / Galvanized Steel, Powder coated with highest quality standards.

Configuration for standard junction box is welded, provision to mount the junction box on the wall or pole. front door with rubber gasket or lock and key provides you the security for your equipment's, cable entry from bottom. Protection - IP 55 / IP65/ IP66 (Available)

Junction box is available with variants dimension:

Note:
 · We can make customized requirements and other models on request

PRODUCT FEATURES

- Conforms to ISO Standards
- Precision engineering capabilities and best efficient software configuration product technology provide the best product quality and fastest delivery in the industry
- Side with ventilation and cable entry provision on bottom panel
- Powder coated finish
- Base frame for floor standing
- Pole mount U clamp
- Stationery shelf tray

OPTIONAL ACCESSORIES

- Shelf Tray
- Power Distribution Units

TECHNICAL SPECIFICATION

Rack Standard	Conform to ISO standard
Construction	Welded
Front Door	Lockable With Rubber Gasket
Basic Frame	Mild Steel / Galvanized Steel
Equipment Mounting	Shelf Tray
Standard Finish	Powder coated
Top, Bottom, Side and back	Welded, vented and cable entry provision on the bottom
Standard Color	Pure Polyester Grey RAL 7035
Mounting provision	Wall / Pole (Clamp)
Static Load	10 Kg to 20 Kg

DATARACK POLE / WALL MOUNT OUTDOOR JUNCTION BOX PART CODE & DIMENSIONS

PART CODE	TOTAL HEIGHT IN MM (H)	USABLE HEIGHT (H)	TOTAL WIDTH IN MM (W)	USABLE WIDTH IN INCHES (W)	TOTAL DEPTH IN MM (D)	USABLE DEPTH IN MM (D)
DRT-JBWM-PL10-1311	250	230	330	300	280	270

TABLET & MOBILE CHARGING CART



PRODUCT SUMMARY

DATARACK CHARGING STATION are specially designed for charging device applications like tablet, mobile & laptop. DATARACK charging station are made of cold-rolled steel sheet and proceeded with Laser cutting, CNC bending, welding, and powder coated to meet industrial, ISO 9001-2015, 45001:2018 and 14001-2015 standards. All product manufactured by DATARACK conforms to standards. DATARACK charging station are in welded or CKD construction with 4 pillars. Top and bottom welded or CKD.

DATARACK charging station are having ventilated top and bottom cover with cut-out for cable access, Provision for Fans. Front single doors, glass/Vented/Plain/Perforated with single locks, Rear single door with vented or single locks. Side panels partially vented, charging station with 4 nos. of heavy-duty castor wheels (2 with brake and 2 nos. without brake) sliding tray or fix tray for keeping device.

Note:

- We can make customized requirements and other models on request
- Charging Station are available for 10 / 20 / 40 / 60 devices charging

PRODUCT FEATURES

- Conforms to DIN 41494 OR equivalent ISO Standards
- Adjustable 19" equipment mounting verticals provide better mounting flexibility and maximizes the usable mounting space
- Depth adjustable mounting slots
- Precision engineering capabilities and best efficient software configuration product technology provide the best product quality and fastest delivery in the industry
- Top and bottom Panel with ventilation and cable entry provision
- Provision to mount cooling fans on the top panel/side panel
- Powder coated finish

TECHNICAL SPECIFICATION

Charging Station	Conform to ISO Standard
Construction	Welded or CKD (Knockdown)
Front Door	Lockable front toughened Glass Door / Perforated
Rear Door	Lockable Rear Door / Perforated
Side Panel	Vented
Wheel	Castor Wheels (Breaks - without Breaks)
Basic Frame	Mild Steel
Tray For device	Sliding Tray / Fix Tray
Meter	Digital Timer meter
Standard Finish	Powder coated
Fan	Cooling fans
PDU	Power Distribution Units 10 Socket 5 amp with MCB
Top and Bottom Cover	Welded to Frame or CKD, vented and cable entry provision
Standard Color	Grey, off white, Black and Blue
Purpose of use	This charging station used to charge tablets, mobile and laptops
Load Capacity	500Kg (Customized as per load capacity)

TABLET & MOBILE CHARGING CART PART CODE & DIMENSIONS

PART CODE	TOTAL HEIGHT IN MM (H)	TOTAL WIDTH IN MM (W)	TOTAL DEPTH IN MM (D)
DRT-TMC-6060-20	750	600	600
DRT-TMC-6060-40	1050	600	600
DRT-TMC-6060-60	1500	600	600





PRODUCT SUMMARY

DATARACK CHARGING STATION are specially designed for charging device applications like tablet, mobile & laptop. DATARACK charging station are made of cold-rolled steel sheet and proceeded with Laser cutting, CNC bending, welding, and powder coated to meet industrial, ISO 9001-2015, 45001:2018 and 14001-2015 standards. All product manufactured by DATARACK conforms to standards. DATARACK charging station are in welded or CKD construction with 4 pillars. Top and bottom welded or CKD.

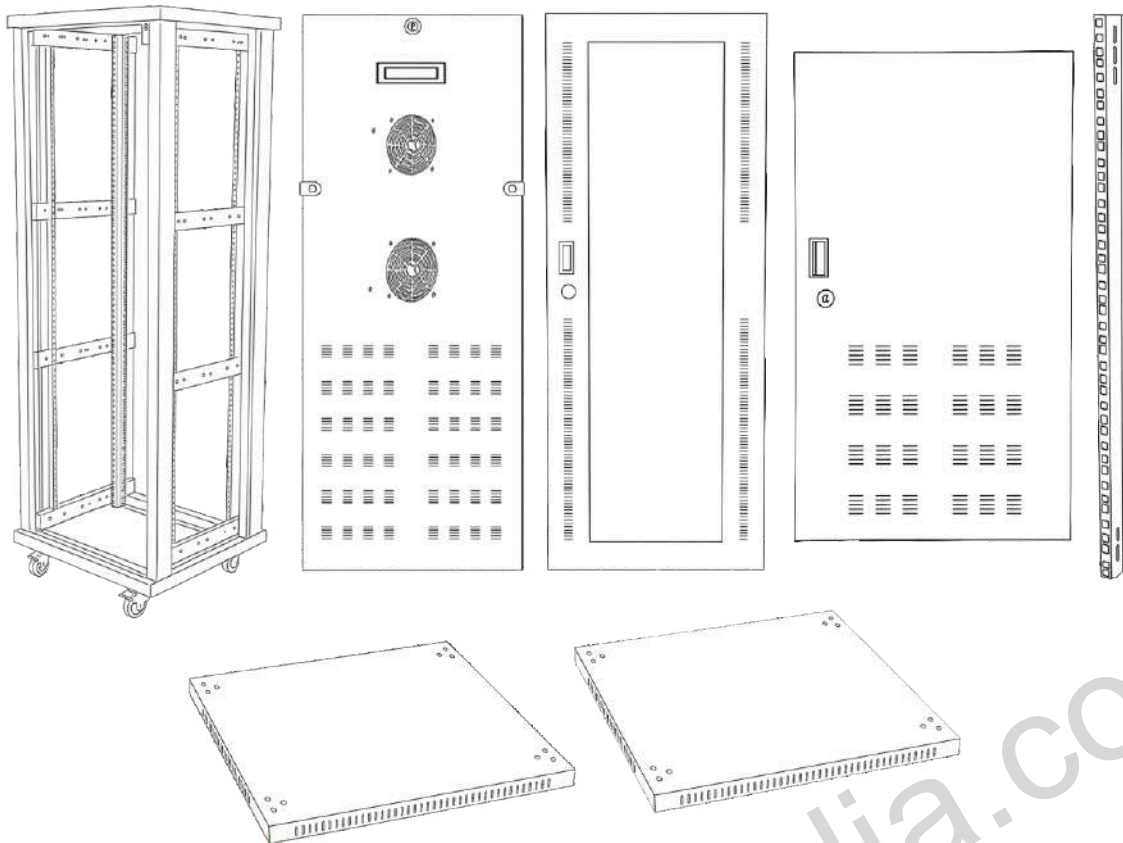
DATARACK charging station are having ventilated top and bottom cover with cut-out for cable access, Provision for Fans. Front single doors, glass/Vent-ed/Plain/Perforated with single locks. Rear single door with vented or single locks. Side panels partially vented. charging station with 4 nos. of heavy-duty caster wheels (2 with brake and 2 nos. without brake) sliding tray or fix tray for keeping device .

Note:

- We can make customized requirements and other models on request
- Charging Station are available for 10 /20/40/60 devices charging

PRODUCT FEATURES

- Conforms to DIN 41494 OR equivalent ISO Standards
- Adjustable 19" equipment mounting verticals provide better mounting flexibility and maximizes the usable mounting space
- Depth adjustable mounting slots
- Precision engineering capabilities and best efficient software configuration product technology provide the best product quality and fastest delivery in the industry
- Top and bottom Panel with ventilation and cable entry provision
- Provision to mount cooling fans on the top panel/side panel
- Powder coated finish



TECHNICAL SPECIFICATION

Rack Standard	Conform to DIN 41494 or equivalent standard
Construction	Welded or CKD (Knockdown)
Front Door	Lockable front toughened Glass Door / Perforated /
Rear Door	Lockable Rear Door / Perforated
Side Panel	Vented and lock provision.
Wheel	Castor Wheels (Breaks • without Breaks)
Basic Frame	Mild Steel / GI
Equipment Mounting	DIN Std 10mm sq slots
Lock	Biometric, Magnet Lock
Tray For device	Sliding Tray
Meter	Digital Timer meter
Standard Finish	Powder coated
Temperature & Fan	Temperature Meter & Sensor & Cooling fans
PDU	Power Distribution Units 10 Socket 5 amp with 2.5mm sq wire/ Socket Type available C & USB
Top and Bottom Cover	Welded to Frame or CKD, vented and cable entry provision
Standard Color	Grey, off white and black
Load Capacity	500Kg (Customized as per load capacity)

DATARACK OUTDOOR WALL /POLE MOUNT RACKS PART CODE & DIMENSIONS

PART CODE	TOTAL HEIGHT IN MM (H)	TOTAL WIDTH IN MM (W)	TOTAL DEPTH IN MM (D)
DRT - SCC- 6060-20	750	600	600
DRT - SCC- 6060-40	1050	600	600
DRT - SCC- 6060-60	1500	600	600



PRODUCT SUMMARY

DATARACK floor standing rack are specially designed for networking / server / audio video /data center and telecom applications. DATARACK are made of heavy duty aluminum vertical profile and with cold-rolled steel sheet and proceeded with Laser cutting, CNC bending, welding, and powder coated to meet industrial, ISO 9001-2015 and 14001-2015 standards. All product manufactured by DATARACK conforms to standards. DATARACK floor standing steel racks are in welded or CKD construction with 4 pillars Aluminum extrusion profile with Top and bottom provided with reinforced frames and supported by 6 / 4 nos. of depth channels for extra rigidity. DATARACK Floor standing steel racks are having ventilated top and bottom cover with cut-out for cable access, Provision for Fans, and fan tray mounting. Front single or dual doors, glass/Vented/Plain/Perforated (Round/Convex) with single- or 3-point locks, Rear single/dual door with vented/perforated/plain with single- or 3-point locks. Side panels partially vented/plain. Racks with 4 nos. of heavy-duty caster wheels (2 with brake and 2 nos. without brake) / adjustable legs/plinth. Racks are available from 18U - 48U Variants with 600 & 800mm width and 600, 800, 1000 & 1200mm depth

Note:

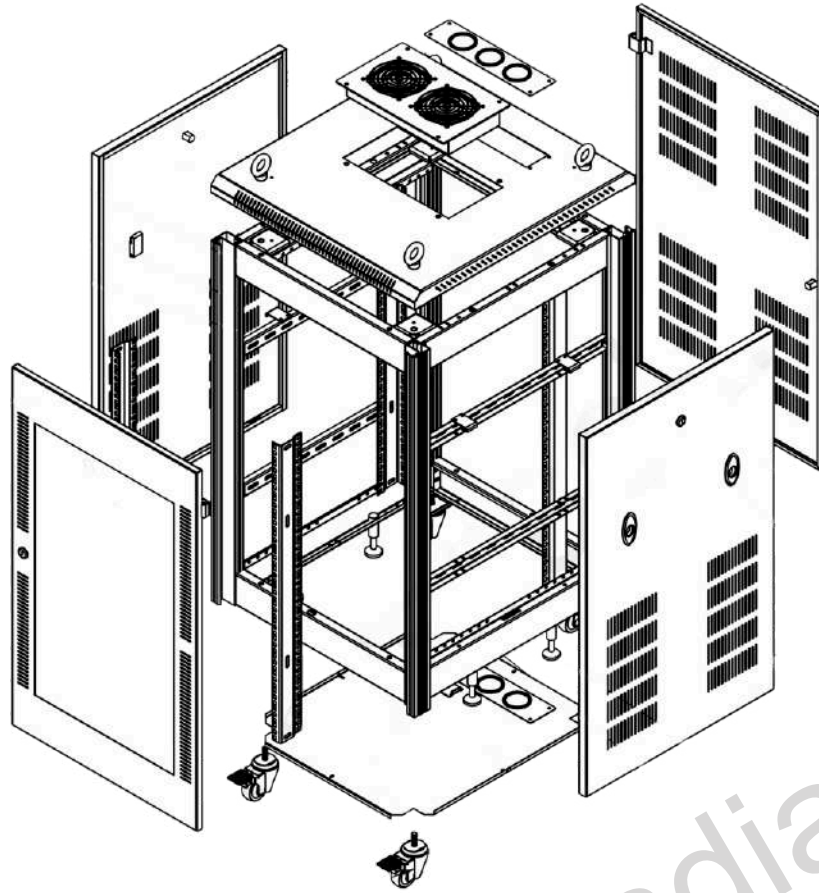
- We can make customized requirements and other models on request
- 1U = 44.45mm

PRODUCT FEATURES

- Conforms to DIN 41494 OR equivalent ISO Standards
- Adjustable 19" equipment mounting verticals provide better mounting flexibility and maximizes the usable mounting space
- Depth adjustable mounting slots
- Precision engineering capabilities and best efficient software configuration product technology provide the best product quality and fastest delivery in the industry
- Top and bottom Panel with ventilation and cable entry provision
- Provision to mount cooling fans on the top panel
- Powder coated finish
- 100% assured compatibility with all equipment conforming to DIN 41494 (General industrial standard for equipment)

OPTIONAL ACCESSORIES

- Cooling Fans with temperature indicator
- Power Distribution Units
- 1U Cable Manager MS or PVC
- Cantilever Tray / Shelf Tray
- Mounting Hardware
- Stationery Shelf Tray
- Key Board Tray
- Earthing Kit
- Temperature sensor
- Support Angle
- Digital Lock
- Base Plinth
- Led Light
- Vertical Cable Manager



TECHNICAL SPECIFICATION

Rack Standard	Conform to DIN 41494 or equivalent standard
Construction	Welded or CKD (Knockdown)
Front Door	Lockable front toughened Glass Door / Perforated / Split Dual
Rear Door	Lockable Rear Door / Perforated / Split Dual
Side Panel	Vented with slam latches and lock provision.
Wheel	Castor Wheels (Breaks - without Breaks)
Basic Frame	Aluminum profile with steel end frame assembly top and bottom
Equipment Mounting	DIN Std 10mm sq slots
Mounting Angle	19" Mounting angle made of formed steel 2mm thickness
Standard Finish	Powder coated
Top and Bottom Cover	CKD- (Completely Knocked Down), vented and cable entry provision
Standard Color	Grey, off white and black
Load Capacity	500-1200 Kg (Customized as per load capacity)

**FLOOR STANDING NETWORKING & SERVER RACKS ALUMINUM SERIES
PART CODE & DIMENSIONS**

PART CODE	TOTAL HEIGHT IN MM (H)	USABLE HEIGHT (H)	TOTAL WIDTH IN MM (W)	USABLE WIDTH IN INCHES (W)	TOTAL DEPTH IN MM (D)	USABLE DEPTH IN MM (D)
DRT-AS-6060-18U	880	18U	600	19"	600	520
DRT- AS-6060-22U	1060	22U	600	19"	600	520
DRT-AS-6060-24U	1166	24U	600	19"	600	520
DRT-AS-6060-27U	1300	27U	600	19"	600	520
DRT-AS-6060-32U	1525	32U	600	19"	600	520
DRT-AS-6060-36U	1685	36U	600	19"	600	520
DRT-AS-6060-42U	1960	42U	600	19"	600	520
DRT-AS-6060-45U	2100	45U	600	19"	600	520
DRT-AS-6060-48U	2220	48U	600	19"	600	520



PRODUCT SUMMARY

DATARACK floor standing rack are specially designed for networking / server / audio video /data center and telecom applications. DATARACK are made of heavy duty aluminum vertical profile and with cold-rolled steel sheet and proceeded with Laser cutting, CNC bending, welding, and powder coated to meet industrial, ISO 9001-2015 and 14001-2015 standards. All product manufactured by DATARACK conforms to standards. DATARACK floor standing steel racks are in welded or CKD construction with 4 pillars Aluminum extrusion profile with Top and bottom provided with reinforced frames and supported by 6 / 4 nos. of depth channels for extra rigidity.

DATARACK Floor standing steel racks are having ventilated top and bottom cover with cut-out for cable access, Provision for Fans, and fan tray mounting. Front single or dual doors, glass/Vented/Plain/Perforated (Round/Convex) with single- or 3-point locks, Rear single/dual door with vented/perforated/plain with single- or 3-point locks. Side panels partially vented/plain. Racks with 4 nos. of heavy-duty castor wheels (2 with brake and 2 nos. without brake) / adjustable legs/plinth. Racks are available from 18U - 48U Variants with 600 & 800mm width and 600, 800, 1000 & 1200mm depth

Note:

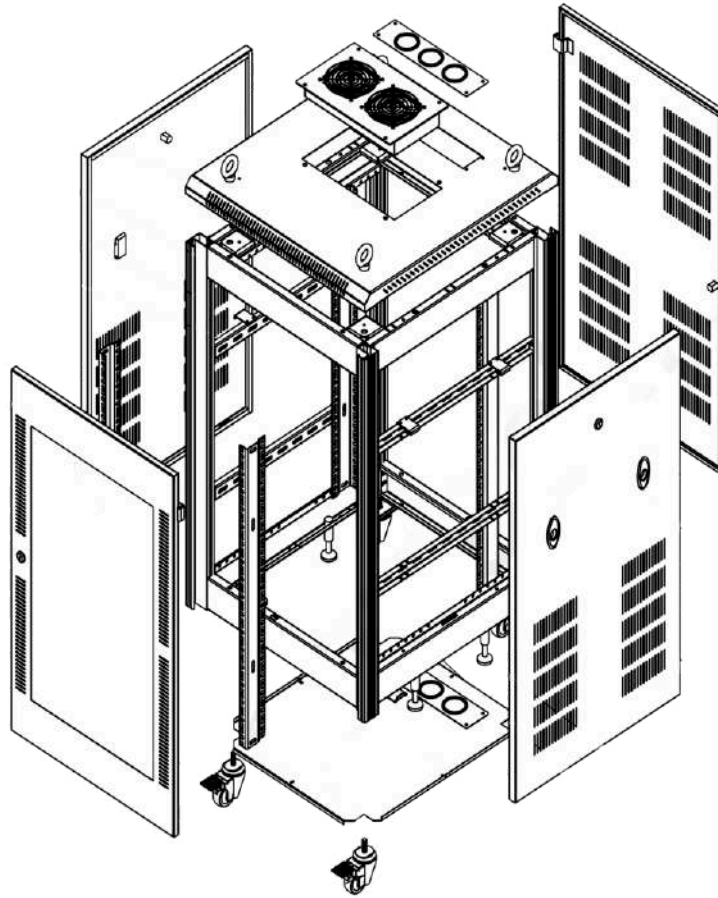
- We can make customized requirements and other models on request
- 1U = 44.45mm

PRODUCT FEATURES

- Conforms to DIN 41494 OR equivalent ISO Standards
- Adjustable 19" equipment mounting verticals provide better mounting flexibility and maximizes the usable mounting space
- Depth adjustable mounting slots
- Precision engineering capabilities and best efficient software configuration product technology provide the best product quality and fastest delivery in the industry
- Top and bottom Panel with ventilation and cable entry provision
- Provision to mount cooling fans on the top panel
- Powder coated finish
- 100% assured compatibility with all equipment conforming to DIN 41494 (General industrial standard for equipment)

OPTIONAL ACCESSORIES

- Cooling Fans with temperature indicator
- Power Distribution Units
- 1U Cable Manager MS or PVC
- Cantilever Tray / Shelf Tray
- Mounting Hardware
- Stationery Shelf Tray
- Key Board Tray
- Earthing Kit
- Temperature sensor
- Support Angle
- Digital Lock
- Base Plinth
- Led Light
- Vertical Cable Manager



TECHNICAL SPECIFICATION

Rack Standard	Conform to DIN 41494 or equivalent standard
Construction	Welded or CKD (Knockdown)
Front Door	Lockable front toughened Glass Door / Perforated / Split Dual
Rear Door	Lockable Rear Door / Perforated / Split Dual
Side Panel	Vented with slam latches and lock provision.
Wheel	Castor Wheels (Breaks - without Breaks)
Basic Frame	Aluminum profile with steel end frame assembly top and bottom
Equipment Mounting	DIN Std 10mm sq slots
Mounting Angle	19" Mounting angle made of formed steel 2mm thickness
Standard Finish	Powder coated
Top and Bottom Cover	CKD- (Completely Knocked Down), vented and cable entry provision
Standard Color	Grey, off white and black
Load Capacity	500-1200 Kg (Customized as per load capacity)

**FLOOR STANDING NETWORKING & SERVER RACKS ALUMINUM SERIES
PART CODE & DIMENSIONS**

PART CODE	TOTAL HEIGHT IN MM (H)	USABLE HEIGHT (H)	TOTAL WIDTH IN MM (W)	USABLE WIDTH IN INCHES (W)	TOTAL DEPTH IN MM (D)	USABLE DEPTH IN MM (D)
DRT-AS-6080-18U	880	18U	600	19"	600	520
DRT-AS-6080-22U	1060	22U	600	19"	600	520
DRT-AS-6080-24U	1166	24U	600	19"	600	520
DRT-AS-6080-27U	1300	27U	600	19"	600	520
DRT-AS-6080-32U	1525	32U	600	19"	600	520
DRT-AS-6080-36U	1685	36U	600	19"	600	520
DRT-AS-6080-42U	1960	42U	600	19"	600	520
DRT-AS-6080-45U	2100	45U	600	19"	600	520
DRT-AS-6080-48U	2220	48U	600	19"	600	520



PRODUCT SUMMARY

DATARACK floor standing rack are specially designed for networking / server / audio video /data center and telecom applications. DATARACK are made of heavy duty aluminum vertical profile and with cold-rolled steel sheet and proceeded with Laser cutting, CNC bending, welding, and powder coated to meet industrial, ISO 9001-2015 and 14001-2015 standards. All product manufactured by DATARACK conforms to standards. DATARACK floor standing steel racks are in welded or CKD construction with 4 pillars Aluminum extrusion profile with Top and bottom provided with reinforced frames and supported by 6 / 4 nos. of depth channels for extra rigidity.

DATARACK Floor standing steel racks are having ventilated top and bottom cover with cut-out for cable access. Provision for Fans, and fan tray mounting. Front single or dual doors, glass/Vented/Plain/Perforated (Round/Convex) with single- or 3-point locks, Rear single/dual door with vented/perforated/plain with single- or 3-point locks. Side panels partially vented/plain. Racks with 4 nos. of heavy-duty caster wheels (2 with brake and 2 nos. without brake) / adjustable legs/plinth. Racks are available from 18U - 48U Variants with 600 & 800mm width and 600, 800, 1000 & 1200mm depth

Note:

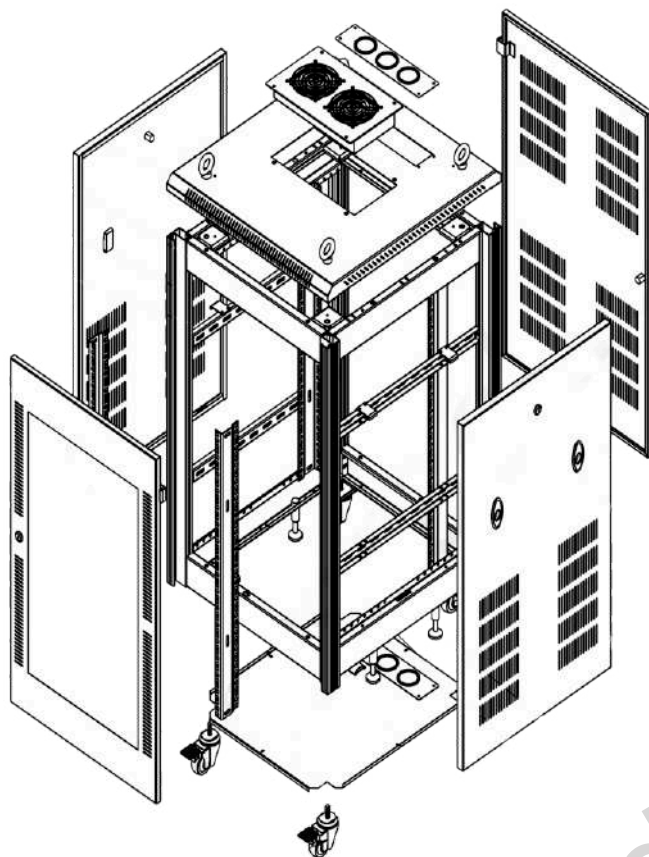
- We can make customized requirements and other models on request
- 1U = 44.45mm

PRODUCT FEATURES

- Conforms to DIN 41494 OR equivalent ISO Standards
- Adjustable 19" equipment mounting verticals provide better mounting flexibility and maximizes the usable mounting space
- Depth adjustable mounting slots
- Precision engineering capabilities and best efficient software configuration product technology provide the best product quality and fastest delivery in the industry
- Top and bottom Panel with ventilation and cable entry provision
- Provision to mount cooling fans on the top panel
- Powder coated finish
- 100% assured compatibility with all equipment conforming to DIN 41494 (General industrial standard for equipment)

OPTIONAL ACCESSORIES

- Cooling Fans with temperature indicator
- Power Distribution Units
- 1U Cable Manager MS or PVC
- Cantilever Tray / Shelf Tray
- Mounting Hardware
- Stationery Shelf Tray
- Key Board Tray
- Earthing Kit
- Temperature sensor
- Support Angle
- Digital Lock
- Base Plinth
- Led Light
- Vertical Cable Manager



TECHNICAL SPECIFICATION

Rack Standard	Conform to DIN 41494 or equivalent standard
Construction	Welded or CKD (Knockdown)
Front Door	Lockable front toughened Glass Door / Perforated / Split Dual
Rear Door	Lockable Rear Door / Perforated / Split Dual
Side Panel	Vented with slam latches and lock provision.
Wheel	Castor Wheels (Breaks - without Breaks)
Basic Frame	Aluminum profile with steel end frame assembly top and bottom
Equipment Mounting	DIN Std 10mm sq slots
Mounting Angle	19" Mounting angle made of formed steel 2mm thickness
Standard Finish	Powder coated
Top and Bottom Cover	CKD- (Completely Knocked Down), vented and cable entry provision
Standard Color	Grey, off white and black
Load Capacity	500-1200 Kg (Customized as per load capacity)

**FLOOR STANDING NETWORKING & SERVER RACKS ALUMINUM SERIES
PART CODE & DIMENSIONS**

PART CODE	TOTAL HEIGHT IN MM (H)	USABLE HEIGHT (H)	TOTAL WIDTH IN MM (W)	USABLE WIDTH IN INCHES (W)	TOTAL DEPTH IN MM (D)	USABLE DEPTH IN MM (D)
DRT-AS-6010-18U	880	18U	600	19"	1000	920
DRT-AS-6010-22U	1060	22U	600	19"	1000	920
DRT-AS-6010-24U	1166	24U	600	19"	1000	920
DRT-AS-6010-27U	1300	27U	600	19"	1000	920
DRT-AS-6010-32U	1525	32U	600	19"	1000	920
DRT-AS-6010-36U	1685	36U	600	19"	1000	920
DRT-AS-6010-42U	1960	42U	600	19"	1000	920
DRT-AS-6010-45U	2100	45U	600	19"	1000	920
DRT-AS-6010-48U	2220	48U	600	19"	1000	920



PRODUCT SUMMARY

DATARACK floor standing rack are specially designed for networking / server / audio video /data center and telecom applications. DATARACK are made of heavy duty aluminum vertical profile and with cold-rolled steel sheet and proceeded with Laser cutting, CNC bending, welding, and powder coated to meet industrial, ISO 9001-2015 and 14001-2015 standards. All product manufactured by DATARACK conforms to standards. DATARACK floor standing steel racks are in welded or CKD construction with 4 pillars Aluminum extrusion profile with Top and bottom provided with reinforced frames and supported by 6 / 4 nos. of depth channels for extra rigidity.

DATARACK Floor standing steel racks are having ventilated top and bottom cover with cut-out for cable access, Provision for Fans, and fan tray mounting. Front single or dual doors, glass/Vented/Plain/Perforated (Round/Convex) with single- or 3-point locks. Rear single/dual door with vented/perforated/plain with single- or 3-point locks. Side panels partially vented/plain. Racks with 4 nos. of heavy-duty caster wheels (2 with brake and 2 nos. without brake) / adjustable legs/plinth. Racks are available from 18U - 48U Variants with 600 & 800mm width and 600, 800, 1000 & 1200mm depth

Note:

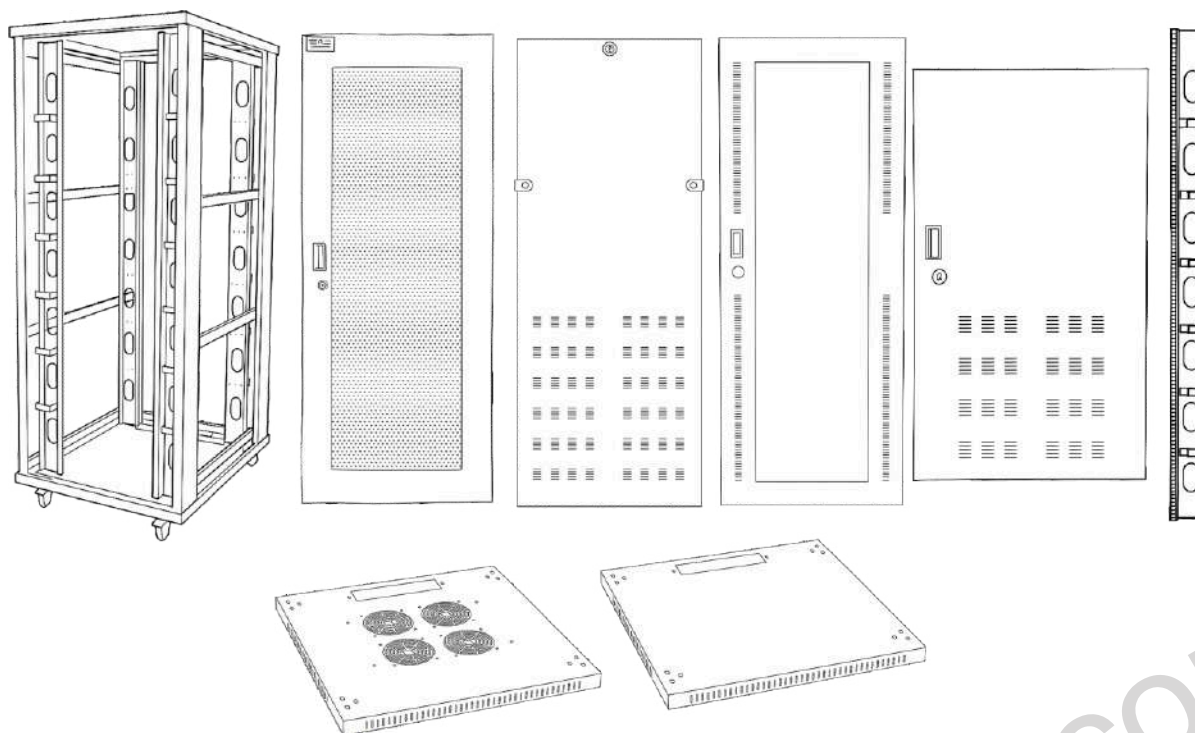
- We can make customized requirements and other models on request
- 1U = 44.45mm

PRODUCT FEATURES

- Conforms to DIN 41494 OR equivalent ISO Standards
- Adjustable 19" equipment mounting verticals provide better mounting flexibility and maximizes the usable mounting space
- Depth adjustable mounting slots
- Precision engineering capabilities and best efficient software configuration product technology provide the best product quality and fastest delivery in the industry
- Top and bottom Panel with ventilation and cable entry provision
- Provision to mount cooling fans on the top panel
- Powder coated finish
- 100% assured compatibility with all equipment conforming to DIN 41494 (General industrial standard for equipment)

OPTIONAL ACCESSORIES

- Cooling Fans with temperature indicator
- Power Distribution Units
- 1U Cable Manager MS or PVC
- Cantilever Tray / Shelf Tray
- Mounting Hardware
- Stationery Shelf Tray
- Key Board Tray
- Earthing Kit
- Temperature sensor
- Support Angle
- Digital Lock
- Base Plinth
- Led Light
- Vertical Cable Manager



TECHNICAL SPECIFICATION

Rack Standard	Conform to DIN 41494 or equivalent standard
Construction	Welded or CKD (Knockdown)
Front Door	Lockable front toughened Glass Door / Perforated / Split Dual
Rear Door	Lockable Rear Door / Perforated / Split Dual
Side Panel	Vented with slam latches and lock provision.
Wheel	Castor Wheels (Breaks - without Breaks)
Basic Frame	Aluminum profile with steel end frame assembly top and bottom
Equipment Mounting	DIN Std 10mm sq slots
Mounting Angle	19" Mounting angle made of formed steel 2mm thickness
Standard Finish	Powder coated
Top and Bottom Cover	CKD- (Completely Knocked Down), vented and cable entry provision
Standard Color	Grey, off white and black
Load Capacity	500-1200 Kg (Customized as per load capacity)

FLOOR STANDING NETWORKING & SERVER RACKS ALUMINUM SERIES PART CODE & DIMENSIONS

PART CODE	TOTAL HEIGHT IN MM (H)	USABLE HEIGHT (H)	TOTAL WIDTH IN MM (W)	USABLE WIDTH IN INCHES (W)	TOTAL DEPTH IN MM (D)	USABLE DEPTH IN MM (D)
DRT-AS-8080-24U	1166	24U	800	19"	800	720
DRT-AS-8080-27U	1300	27U	800	19"	800	720
DRT-AS-8080-32U	1525	32U	800	19"	800	720
DRT-AS-8080-36U	1685	36U	800	19"	800	720
DRT-AS-8080-42U	1960	42U	800	19"	800	720
DRT-AS-8080-45U	2100	45U	800	19"	800	720
DRT-AS-8080-48U	2220	48U	800	19"	800	720
DRT-AS-8010-24U	1166	24U	800	19"	1000	920
DRT-AS-8010-27U	1300	27U	800	19"	1000	920
DRT-AS-8010-32U	1525	32U	800	19"	1000	920
DRT-AS-8010-36U	1685	36U	800	19"	1000	920
DRT-AS-8010-42U	1960	42U	800	19"	1000	920
DRT-AS-8010-45U	2100	45U	800	19"	1000	920
DRT-AS-8010-48U	2220	48U	800	19"	1000	920



PRODUCT SUMMARY

DATARACK floor standing rack are specially designed for networking / server / audio video /data center and telecom applications. DATARACK are made of heavy duty aluminum vertical profile and with cold-rolled steel sheet and proceeded with Laser cutting, CNC bending, welding, and powder coated to meet industrial, ISO 9001-2015 and 14001-2015 standards. All product manufactured by DATARACK conforms to standards. DATARACK floor standing steel racks are in welded or CKD construction with 4 pillars Aluminum extrusion profile with Top and bottom provided with reinforced frames and supported by 6 / 4 nos. of depth channels for extra rigidity.

DATARACK Floor standing steel racks are having ventilated top and bottom cover with cut-out for cable access, Provision for Fans, and fan tray mounting. Front single or dual doors, glass/Vented/Plain/Perforated (Round/Convex) with single- or 3-point locks, Rear single/dual door with vented/perforated/plain with single- or 3-point locks. Side panels partially vented/plain. Racks with 4 nos. of heavy-duty caster wheels (2 with brake and 2 nos. without brake) / adjustable legs/plinth. Racks are available from 18U - 48U Variants with 600 & 800mm width and 600, 800, 1000 & 1200mm depth

Note:

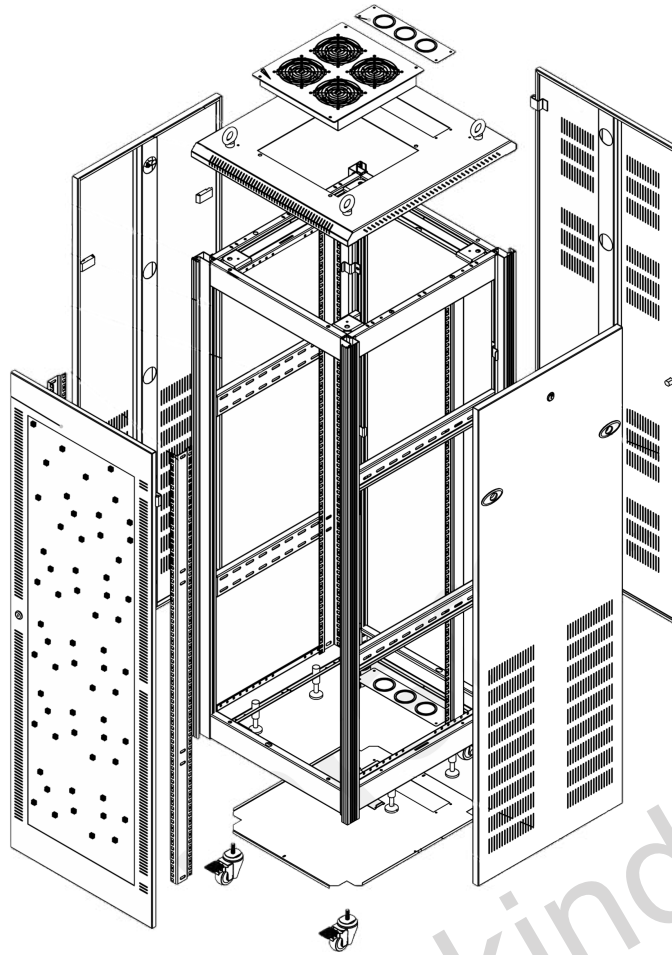
- We can make customized requirements and other models on request
- 1U = 44.45mm

PRODUCT FEATURES

- Conforms to DIN 41494 OR equivalent ISO Standards
- Adjustable 19" equipment mounting verticals provide better mounting flexibility and maximizes the usable mounting space
- Depth adjustable mounting slots
- Precision engineering capabilities and best efficient software configuration product technology provide the best product quality and fastest delivery in the industry
- Top and bottom Panel with ventilation and cable entry provision
- Provision to mount cooling fans on the top panel
- Powder coated finish
- 100% assured compatibility with all equipment conforming to DIN 41494 (General industrial standard for equipment)

OPTIONAL ACCESSORIES

- Cooling Fans with temperature indicator
- Power Distribution Units
- 1U Cable Manager MS or PVC
- Cantilever Tray / Shelf Tray
- Mounting Hardware
- Stationery Shelf Tray
- Key Board Tray
- Earthing Kit
- Temperature sensor
- Support Angle
- Digital Lock
- Base Plinth
- Led Light
- Vertical Cable Manager



TECHNICAL SPECIFICATION

Rack Standard	Conform to DIN 41494 or equivalent standard
Construction	Welded or CKD (Knockdown)
Front Door	Lockable front toughened Glass Door / Perforated / Split Dual
Rear Door	Lockable Rear Door / Perforated / Split Dual
Side Panel	Vented with slam latches and lock provision.
Wheel	Castor Wheels (Breaks - without Breaks)
Basic Frame	Aluminum profile with steel end frame assembly top and bottom
Equipment Mounting	DIN Std 10mm sq slots
Mounting Angle	19" Mounting angle made of formed steel 2mm thickness
Standard Finish	Powder coated
Top and Bottom Cover	CKD- (Completely Knocked Down), vented and cable entry provision
Standard Color	Grey, off white and black
Load Capacity	500-1200 Kg (Customized as per load capacity)

FLOOR STANDING NETWORKING & SERVER RACKS ALUMINUM SERIES PART CODE & DIMENSIONS

PART CODE	TOTAL HEIGHT IN MM (H)	USABLE HEIGHT (H)	TOTAL WIDTH IN MM (W)	USABLE WIDTH IN INCHES (W)	TOTAL DEPTH IN MM (D)	USABLE DEPTH IN MM (D)
DRT-AS-6012-42U	1960	42U	600	19"	1200	1120
DRT-AS-6012-45U	1960	45U	600	19"	1200	1120
DRT-AS-6012-48U	2220	48U	600	19"	1200	1120
DRT-AS-8012-42U	1960	42U	800	19"	1200	1120
DRT-AS-8012-45U	1960	45U	800	19"	1200	1120
DRT-AS-8012-48U	2220	48U	800	19"	1200	1120



PRODUCT SUMMARY

DATARACK Digital Signage Kiosk are specially designed for displays information, Advertisement or provides interactive services. DATARACK Digital Signage Kiosk are made of cold-rolled steel sheet or Acrylic Sheet and proceeded with Laser cutting, CNC bending, welding, and powder coated to meet industrial, ISO 9001-2015, 45001:2018 and 14001-2015 standards. All product manufactured by DATARACK conforms to standards. Digital Signage Kiosk are in welded or CKD construction . Suitable for Public Places Like Airports, Railway stations, Hospitals, Waiting Lounge, Malls etc...

Note:

- We can make customized requirements and other models on request
- DATARACK Digital Signage Kiosk are available for Screen Size 24" / 32" / 43" / 55" / 65"

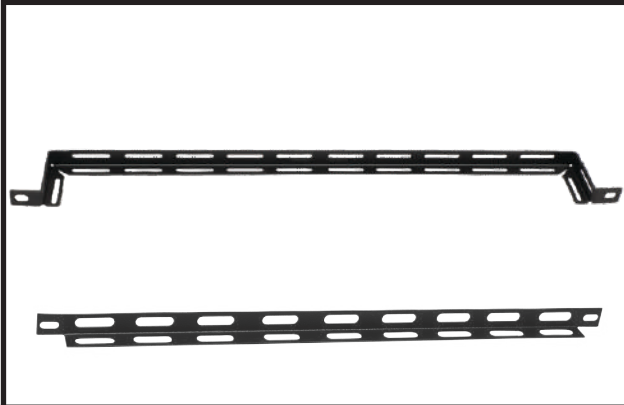
Product feature: ISO Standards

TECHNICAL SPECIFICATION

Digital Signage Kiosk	Conform to ISO Standard
Dimension	3 Feet x 6 feet
Input Voltage	230V
Connectivity	Wi-Fi, Ethernet
Display Shape	Rectangle
PDU	Power Distribution Units 10 Socket 5 amp with MCB
Standard Color	Grey/Black
Monitor Type	LED
Cabinet	MS Cabinet with powder coated / Acrylic Cabinet

MOBILE CHARGING KIOSK PART CODE & DIMENSIONS

PART CODE	TOTAL HEIGHT IN MM (H)	TOTAL WIDTH IN MM (W)	TOTAL DEPTH IN MM (D)
DRT-DSK-24	800	650	150
DRT-DSK-32	1200	650	150
DRT-DSK-43	1500	650	150
DRT-DSK-55	1800	900	200
DRT-DSK-55	1800	900	200



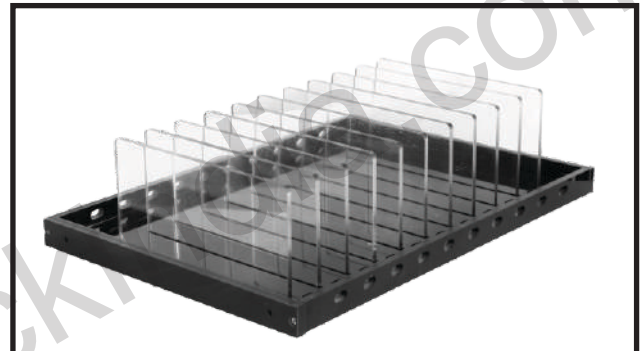
**DRT-LB-1U
CABLE ORGANIZER SADDLE
19" RACK MOUNT**



**DRT-BP-1U
1U BRUSH PANEL**



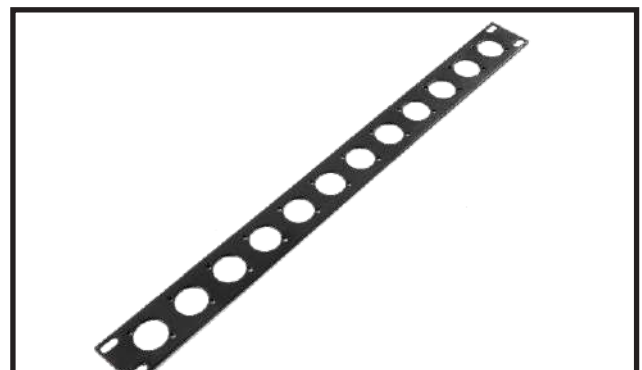
**DRT-CW-2+2/DRT-CWH-2+2
HEAVY DUTY CASTOR
WHEEL WITH BREAKS**



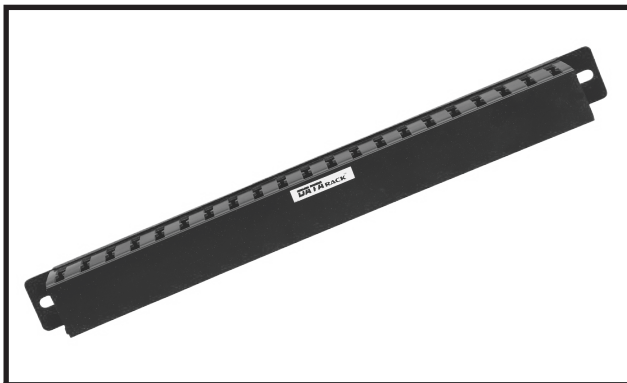
**DRT-MT-10
MOBILE & TABLE
CHARGING TRAY**



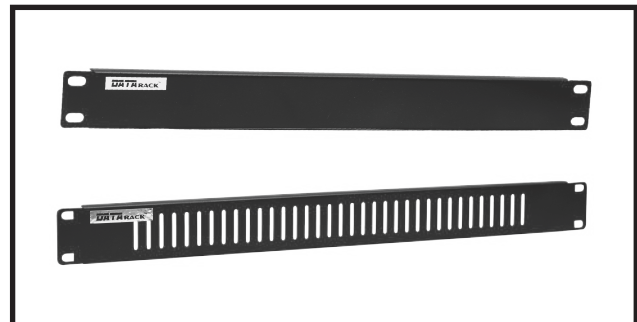
**DRT-CM-1U-PL, DRT-CM-1U-M
1U CABLE MANAGER WITH
PVCLOOP RACK MOUNT 19"**



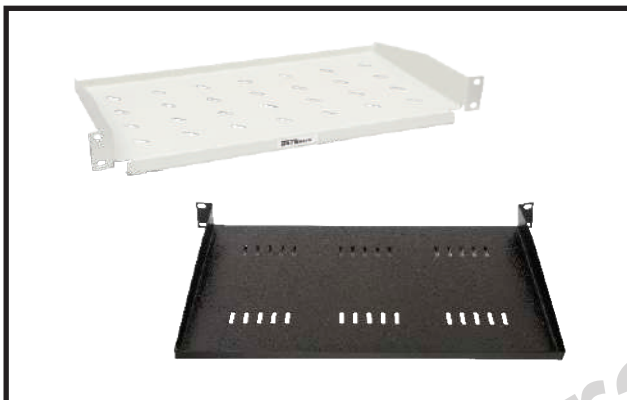
**DRT-XLR-1U
1U XLR PLATE**



**DRT-CM-1U-P
1U 19" PVC CLOSE TYPE
CABLE MANAGER**



**DRT-BP-1U-M, DRT-VP-1U
1U BLANKING PANEL
/ VENT PANEL
19" RACK MOUNT**



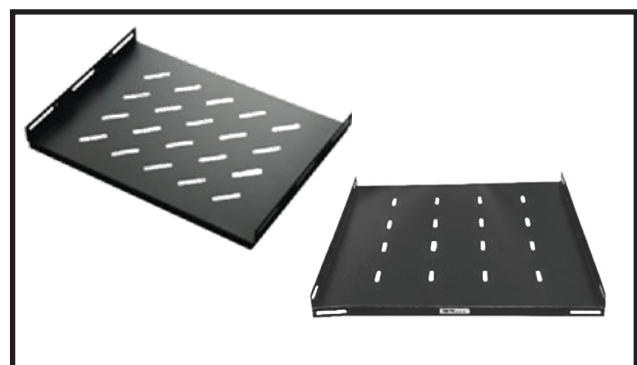
**DRT-CT-1U
1U CANTILEVER TRAY
255MM DEPTH**



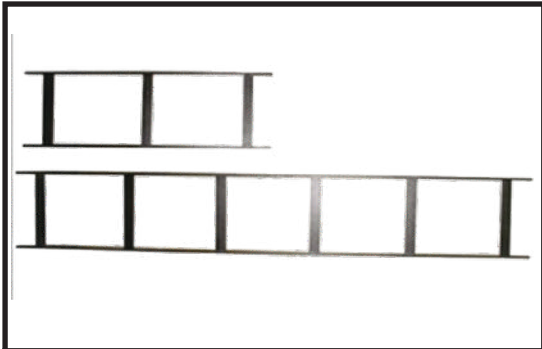
**DRT-SA-375, DRT-SA-575, DRT-SA-725
SUPPORT ANGLE**



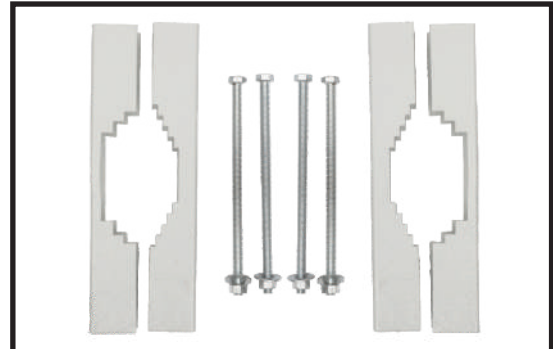
**DRT-FAN-4"
RACK COOLING FAN**



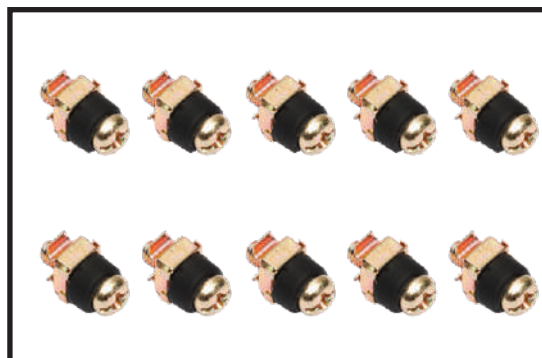
**DRT-ST-375, DRT-ST-475, DRT-ST-575,
DRT-ST-725, DRT-ST-1000
STATIONERY SHELF
TRAY 375MM/575MM/
725MM/1000MM**



**DRT-RL-1M, DRT-RL-2M
RUNWAY LADDER FOR
OPEN FRAME RACK**



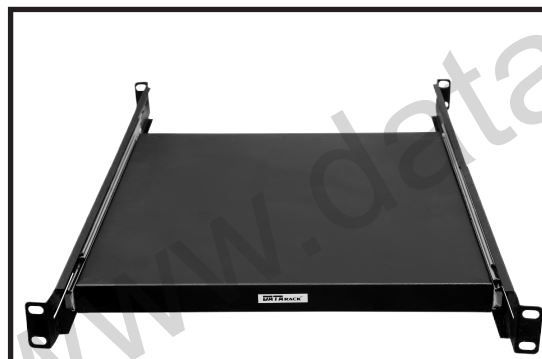
**DRT-PMB-OR
OUTDOOR RACK POLE
MOUNT BRACKET**



**DRT-MH-10
CAGE NUT / MOUNTING
HARDWARE M6**



**DRT-FHU-4FT
4 FAN HOUSING UNIT**



**DRT-ST-1U
1U 19" RACK MOUNT
SLIDING TRAY**



**DRT-BP-2U
2U 19" RACK MOUNT
BLANKING PANEL**









**DRT-JB-4X4, DRT-JB-5X5
CAMERA JUNCTION BOX**


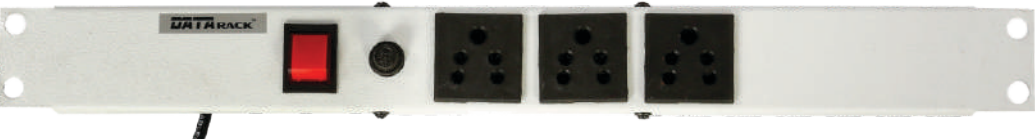
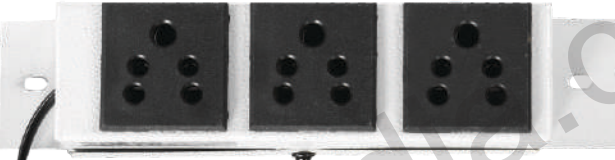



TECHNICAL SPECIFICATION

Rack Standard	Conform to ISO standard
Basic Material	Mild Steel
Mounting Provision	Vertical Rack Mounting / 19" Rack Mount
Standard Finish	Powder coated Black Structure






DATARACK POWER DISTRIBUTION UNIT PART CODE & DIMENSIONS

PART CODE	
DRT-PDU/IEC-12/6	
IEC SOCKET PDU	IEC SOCKET C 13 - 12 & C 19 - 6 / 32 AMP MCB & INDICATOR WITH 4 SQ MM 3 MTR POWER CABLE
DRT-PDU/12-5/15A (R/P)	
INDIAN ROUND PIN SOCKET PDU	12 SOCKET 5/15 AMP INDIAN ROUND PIN WITH 32AMP MCB WITH 2.5MM SQ POWCER CABLE 3 MTR
DRT-PDU/12-5A (R/P)	
INDIAN ROUND PIN SOCKET PDU	12 SOCKET 5 AMP INDIAN ROUND PIN WITH 32AMP MCB WITH 2.5MM SQ POWER CABLE 3 MTR
DRT-PDU/10 -C13	
IEC SOCKET PDU	IEC C13 X 10 SOCKET WITH 32 AMP MCB & 2.5MM SQ POWER CABLE 3 MTR
DRT-PDU/6X5/15A	
INDIAN ROUND PIN SOCKET PDU	6 SOCKET 5/15 AMP INDIAN ROUND PIN WITH 16AMP MCB WITH 2.5MM SQ POWER CABLE 3 MTR
DRT-PDU/USB-10	
USB SOCKET PDU	RACK MOUNT USB SOCKET 10 WITH 32 AMP MCB & 2.5MM POWER CABLE

**DATARACK POWER DISTRIBUTION UNIT
PART CODE & DIMENSIONS**

PART CODE	
DRT-PDU/06-5A(RP)	
INDIAN ROUND PIN SOCKET	6 SOCKET INDIAN ROUND PIN SOCKET WITH ROCKER SWITCH & 1.5MM SQ POWER CABLE 1.5MTR
DRT-PDU/03-5A(R/P)	
INDIAN ROUND PIN SOCKET PDU	3 SOCKET INDIAN ROUND PIN SOCKET WITH ROCKER SWITCH & 1.5MM SQ POWER CABLE 1.5MTR
DRT-PDU/03-5A(R/P)	
INDIAN ROUND PIN SOCKET PDU	3 SOCKET INDIAN ROUND PIN SOCKET 1.5MM SQ POWER CABLE 1.5MTR
DRT-PDU12-16A(F/R)	
UNIVERSAL SOCKET	12 SOCKET 16 AMP UNIVERSAL TYPE WITH 32AMP MCB WITH 2.5MM SQ POWER CABLE 3 MTR
DRT-PDU/6A(F/R)	
UNIVERSAL SOCKET	6 SOCKET 16 AMP UNIVERSAL TYPE WITH 16 AMP MCB 1.5MM SQ / 2.5MM SQ POWER CABLE 1.5MTR
CABLE CUBBY	
CABLE CUBBY / POP UP BOX	CABLE CUBBY HAVING 2 POWER/2 RJ5/HDMI/USB/VGA/AUDIO SOCKET PROVISION

**DATARACK POWER DISTRIBUTION UNIT
PART CODE & DIMENSIONS**

PART CODE	
DRT-PDU/10 -C19	
IEC SOCKET PDU	IEC SOCKET C19 X 10 SOCKET WITH 32 AMP MCB & 2.5MM SQ POWER CABLE 3 MTR
DRT-PDU/10 -C13-C19	
IEC SOCKET PDU	IEC C13 X 8 SOCKET AND IEC C19X2 WITH 32 AMP MCB & 2.5MM SQ POWER CABLE 3 MTR
DRT-PDU/TIMER CONTROL -01	
TIMER METER	TIMER METER WITH 32AMP MCB & TEMPRATURE METER WITH 5 AMP SOCKET
DRT-PDU/TIMER CONTROL -02	
TIMER METER	TIMER METER WITH 32AMP MCB & INDICATOR
3 PH – PDU IEC SOCKET	
IEC SOCKET PDU	IEC C13 X 30 SOCKET AND IEC C19X6 WITH 32 AMP MCB X 6 CIRCUIT & 4 SQ POWER CABLE 3 MTR

- RAILTEL CORPORATION OF INDIA LIMITED
- AIRPORTS AUTHORITY OF INDIA (AAI)
- NUCLEAR FUEL COMPLEX, DEPARTMENT OF ATOMIC ENERGY
- JAWAHAR NAVODYA VIDYALAYA, DEPARTMENT OF SCHOOL EDUCATION & LITERACY
- INDIAN SPACE RESEARCH ORGANISATION, DEPARTMENT OF SPACE
- POWERGRID CORPORATION OF INDIA LIMITED
- DEPARTMENT OF ELECTRONICS AND INFORMATION TECHNOLOGIES
- ARTIFICIAL LIMBS MANUFACTURING CORPORATION OF INDIA
- ATOMIC ENERGY EDUCATION SOCIETY (AEES)
- BHABHA ATOMIC RESEARCH CENTRE (BARC)
- INDIAN INSTITUTE OF TECHNOLOGY (IIT) HYDERABAD
- KENDRA VIDYALAYA SANGATHAN
- NORTHERN COAL FIELD LIMITED
- NHPC LTD
- NTPC LTD
- DIRECTORATE OF PURCHASE & STORES
- INSTITUTE FOR PLASMA RESEARCH, DEPARTMENT OF ATOMIC ENERGY
- BORDER SECURITY FORCE (BSF), MINISTRY OF DEFENCE
- CENTRAL ARMED POLICE FORCE MINISTRY OF DEFENCE
- NATIONAL INSTITUTE OF TECHNOLOGY (NIT), CALICUT, DEPARTMENT OF HIGHER EDUCATION
- NEW MANGLORE PORT TRUST, MINISTRY OF PORTS
- BOKARO STEEL PLANT, STEEL AUTHORITY OF INDIA LIMITED
- HEALTH AND FAMILY WELFARE DEPARTMENT WEST BENGAL
- LIC OF INDIA
- BRAHMAPUTRA CRACKERS & POLYMER LIMITED
- RAJA RAMANA CENTRE OF ADVANCE TECHNOLOGY (RRCAT)
- RAJIV GANDHI CENTRE FOR AQUACULTURE
- VIKRAM SARABHAI SPACE CENTRE (ISRO)
- AGRICULTURE INSURANCE COMPANY OF INDIA LIMITED
- CENTRE FOR DEVELOPMENT OF ADVANCE COMPUTING
- CONTROLLER GENERAL OF DEFENCE ACCOUNTS NEW DELHI
- COUNCIL OF SCIENTIFIC OF INDUSTRIAL RESEARCH (CSIR)
- DEPARTMENT OF DEFENCE RESEARCH & DEVELOPMENT
- DEPARTMENT OF AGRICULTURAL RESEARCH & EDUCATION
- DEPARTMENT OF BIOTECHNOLOGY (DBT) GOVT.OF INDIA
- DEPARTMENT OF CHEMICALS & PETROCHEMICALS
- DEPARTMENT OF DEFENCE PRODUCTION
- DEPARTMENT OF INDUSTRIAL POLICY AND PROMOTION
- DEPARTMENT OF SCHOOL EDUCATION & LITERACY
- DEPARTMENT OF SCIENCE AND TECHNOLOGY (DST)
- EMPLOYEES STATE INSURANCE CORPORATION (ESIC)
- NATIONAL INSTITUTE OF TECHNICAL TEACHERS TRAINING
- BHARAT RATNA DR B R AMBEDKAR UNIVERSITY
- BHARATIYA NABHIKIYA VIDYUT NIGAM LIMITED
- BHASKARCHARYA NATIONAL INSTITUTE FOR SPACE APPLICATIONS AND GEO INFORMATICS
- CENTRAL COUNCIL FOR RESEARCH IN AYURVEDIC SCIENCES
- CENTRAL POLICE ORGANISATION
- CENTRAL RESEARCH INSTITUTE OF UNANI MEDICINE
- CENTRE FOR NANO SCIENCE AND ENGINEERING (CENSE)
- CST ADVANCED SYSTEMS PRIVATE LIMITED
- DIRECTOR GENERAL OF NATIONAL CADET CORPS (DGNCC)
- DIRECTOR NATIONAL INSTITUTE OF TECHNOLOGY CALICUT
- EASTERN REGIONAL STATION ZOOLOGICAL SURVEY OF INDIA SHILLONG
- ELECTRONICS AND INFORMATION TECHNOLOGY DEPARTMENT
- GOVT. INDUSTRIAL TRAINING INSTITUTE- GUJARAT
- GOVT POLYTECHNIC PANCHKULA
- GURU BRAHMANAND JI GOVT. POLYTECHNIC
- HEAD POST OFFICE NAGERCOIL
- HEALTH AND FAMILY WELFARE DEPARTMENT DELHI
- HEALTH AND FAMILY WELFARE DEPARTMENT WEST BENGAL
- INDIAN INSTITUTE OF ENGINEERING SCIENCE AND TECHNOLOGY SHIBPUR
- INDIAN INSTITUTE OF MANAGEMENT LUCKNOW
- INDIAN INSTITUTE OF MANAGEMENT VISAKHAPATNAM
- INDIAN INSTITUTE OF TECHNOLOGY (IIT)-BOMBAY
- INDIAN INSTITUTE OF TECHNOLOGY (IIT DELHI)
- INDIAN INSTITUTE OF TECHNOLOGY (IIT)-INDORE
- INDIAN INSTITUTE OF TECHNOLOGY JODHPUR
- INDIAN INSTITUTE TECHNOLOGY (TIRUPATI)
- ISRO PROPULSION COMPLEX
- SARDAR SWARN SINGH NATIONAL INSTITUTE OF RENEWABLE ENERGY
- MALABAR GOLD LIMITED
- RICHES JEWELL ARCADE LLP
- PROSPER JEWEL ARCADE LLP
- PROMINENT JEWEL ARCADE PVT LTD
- DEPARTMENT OF SCIENTIFIC AND INDUSTRIAL RESEARCH (DSIR)
- DEPARTMENT OF COMMERCE
- HOME DEPARTMENT JAMMU AND KASHMIR
- DEPARTMENT OF MILITARY AFFAIRS
- HOME AND HILL AFFAIRS DEPARTMENT WEST BENGAL
- LABOUR AND EMPLOYMENT DEPARTMENT GUJARAT
- DEPARTMENT OF DEFENCE PRODUCTION
- DEPARTMENT FOR PROMOTION OF INDUSTRY & INTERNAL TRADE
- CENTRAL ARMED POLICE FORCES
- CENTRAL POLICE ORGANIZATION
- DEPARTMENT OF ECONOMIC AFFAIRS
- DEPARTMENT OF POSTS
- TOURISM DEPARTMENT ASSAM
- ENERGY DEPARTMENT MAHARASHTRA
- CENTRAL ARMED POLICE FORCES
- DEPARTMENT OF SCHOOL EDUCATION AND LITERACY
- DEPARTMENT OF HIGHER EDUCATION
- TECHNICAL EDUCATION DEPARTMENT HARYANA
- NATIONAL INSTITUTE OF LABOR ECONOMICS RESEARCH AND DEVELOPMENT.
- GENERAL ADMINISTRATION DEPARTMENT GUJARAT
- BRAHMAPUTRA CRACKER AND POLYMER LIMITED
- MINISTRY OF INFORMATION AND BROADCASTING
- RAILWAYS PUBLIC SECTOR UNDERTAKINGS
- COAL INDIA LIMITED
- LABOUR AND SKILLS DEPARTMENT KERALA
- DEPARTMENT OF SOCIAL JUSTICE AND EMPOWERMENT
- MINISTRY OF MICRO SMALL AND MEDIUM ENTERPRISES
- INFORMATION TECHNOLOGY DEPARTMENT KERALA
- CENTRAL UNIVERSITY OF PUNJAB,
- INTELLIGENCE BUREAU SIB ITANAGAR
- DELHI DEVELOPMENT AUTHORITY
- SUBSIDIARY INTELLIGENCE BUREAU
- HIGHER EDUCATION DEPARTMENT CHHATTISGARH
- INDIAN AIR FORCE
- SCHOOL OF PLANNING AND ARCHITECTURE
- CENTRAL UNIVERSITY OF SOUTH BIHAR
- DEPARTMENT OF DEFENCE PRODUCTION AND SUPPLY
- DELHI SCHOOL OF ECONOMICS
- DEPARTMENT OF REVENUE
- AERONAUTICAL DEVELOPMENT ESTABLISHMENT DEFENCE R & D ORGANIZATION
- HOME DEPARTMENT TELANGANA
- MINISTRY OF LABOUR AND EMPLOYMENT
- SOUTHERN COMMAND COMPOSITE SIGNAL REGIMENT
- ENERGY AND PETRO CHEMICALS DEPARTMENT GUJARAT
- PUBLIC WORKS DEPARTMENT(PWD) DAMAN AND DIU
- INSURANCE REGULATORY AND DEVELOPMENT AUTHORITY OF INDIA
- HATHWAY DIGITAL LIMITED
- DEN NETWORKS LTD

DATA RACK®

DATA RACK TECHNOLOGIES

AN ISO CERTIFIED COMPANY



DATA RACK TECHNOLOGIES

(An ISO Certified Company)

S-23 Basement & Ground Floor , Okhla Industrial Area Phase -2 New Delhi - 110020, India

Landline : 011-41324044 Phone: +91 98185 22132

Email : sales@datarackindia.com, ranjeet@datarackindia.com Website : www.datarackindia.com

MFG :- Networking & Server Racks, DVR Racks, Outdoor Racks, Charging Station & Customized Cabinets, Sheet Metal Laser Cutting & CNC Bending .

ISO 9001:2015 | ISO/IEC 27001:2013 | ISO 14001:2015 | ISO 45001:2018 | IEC/DIN | CE



GeM
Government
e Marketplace

